

# Pose 6030 IF Acrylic Corner Right Bathtub

**Model number:**

106200-L-097-001

**Dimensions:** 59.625" x 29.875" x 21.625"

**Installation:** Corner

**Material:** Acrylic



## Standard Features:

- Rectangular shape bathtub with choices of two deck heights (3/8 or 2 in.) Please specify when ordering.
- Integrated flange (IF) for corner installation
- Textured floor
- Ample deck space for faucet installation
- Right or left drain available

## Product characteristics:

- Integrated Tiling Flange
- Easy Installation
- Textured Floor

## Systems:

- Whirlpool
- Combined Whirlpool/Aeroeffect
- Aeroeffect

## Standard Colors:



White (001)



Bone (004)



Biscuit (007)

## Certifications

MAAX products adhere to one or more of the following certifications:



# MAAX

# Pose 6030 IF Acrylic Corner Right Bathtub

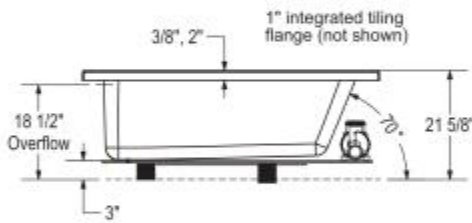
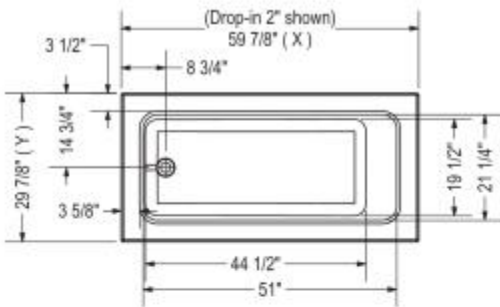
**Model number:**

106200-L-097-001

**Dimensions:** 59.625" x 29.875" x 21.625"

**Installation:** Corner

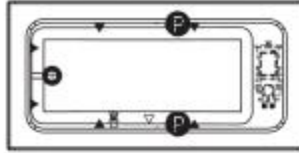
**Material:** Acrylic



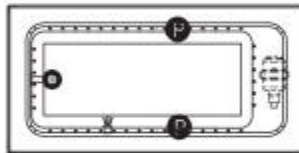
	DROP IN 2"	DROP IN 3/8"	ALCOVE / CORNER
X	59 7/8"	59 3/4"	59 5/8"
Y	29 7/8"	29 3/4"	29 7/8"

Wood support design may vary.  
 Integrated tiling flange: 1" height X 1/4" thickness (not shown)  
 Tiling flange position is determined by chosen configuration.  
 All dimensions are approximate.  
 Structure measurement must be verified against the unit to ensure proper fit.

WHIRLPOOL SYSTEM

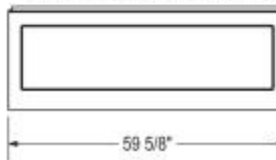


AIR SYSTEM



- : Indicates optional grab bar positioning
- ( ▲ ) : Indicates whirlpool jets positioning
- ( ● ) : Indicates Aerofoel airjets positioning
- ( ▲ ) : Indicates suction positioning
- ( ✖ ) : Indicates chromatherapy light positioning

APRON (alcove version only)



## Dimensions

59 3/4 x 30 x 21 3/4 In.  
 (1514 x 759 x 549 mm)

## Water Capacity

49 gallons - 186 liters

## Weight

57 lbs - 25 3/4 kg

## Bathing Well

51 In. x 21 1/4 In.

## Deep Sump Height

18 In. - 457 mm

## Deck Width

3.5 In. - 89 mm

## Drain location:

Left

Right

Project:

Contractor:

Representative:

Date:

Tel:

Notes:

# MAAX