

# Exhibit 6042 IFS AFR Acrylic Alcove Bathtub

**Model number:**

106176-R-097-001

**Dimensions:** 59.875" x 42" x 20"

**Installation:** Alcove

**Material:** Acrylic

## Standard Features:

- Rectangular shape bathtub in alcove installation
- Available in Above-the-Floor Rough (AFR) or not
- Minimalist look with discreet armrests and textured floor
- Deck for faucet installation
- When equipped with a system, the unit comes with an access panel

## Product characteristics:

- Made in North America
- Integrated Armrest
- Integrated Tiling Flange and Skirt

## Systems:

- Whirlpool
- Combined Whirlpool/Aeroeffect
- Aeroeffect



## Standard Colors:



White (001)



Bone (004)



Biscuit (007)

## Certifications

MAAX products adhere to one or more of the following certifications:



## Recommended products (Visit our website for a complete list of our recommended products)

| No                              | Description   |
|---------------------------------|---|
| <input type="checkbox"/> 136270 | Duel 56-59 x 55 ½ x 59 in. 8 mm Bypass Tub Door for Alcove Installation |
| <input type="checkbox"/> 138480 | Vela 56 ½-59 x 59 in. 8 mm Sliding Tub Door for Alcove Installation     |
| <input type="checkbox"/> 105409 | Mika 54 - 59 ½ x 55 in Sliding Tub Door for Alcove Installation         |

# MAAX

# Exhibit 6042 IFS AFR Acrylic Alcove Bathtub

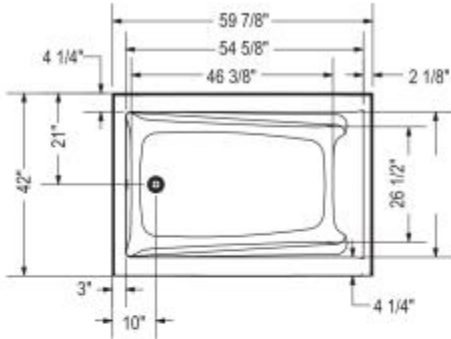
**Model number:**

106176-R-097-001

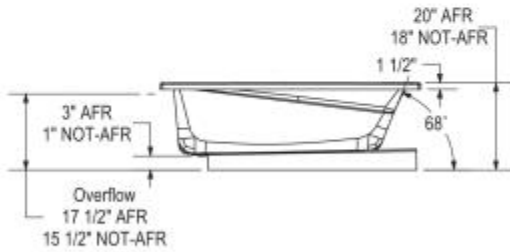
**Dimensions:** 59.875" x 42" x 20"

**Installation:** Alcove

**Material:** Acrylic



1" Single integrated tiling flange (not shown)  
Drop-in model (Shown)



Technical drawing is universal for all Exhibit 6042 configurations.

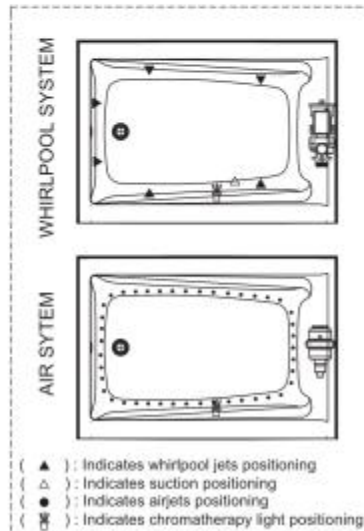
Wood support design may vary.  
Single Integrated tiling flange: 1" height x 1/4" thickness (not shown)

All dimensions are approximate.  
Structure measurement must be verified against the unit to ensure proper fit.

IFS Without System  
Single tiling flange



IFS With System  
(access panel)  
Single tiling flange



- ( ▲ ) : Indicates whirlpool jets positioning
- ( △ ) : Indicates suction positioning
- ( ● ) : Indicates airjets positioning
- ( ☼ ) : Indicates chromatherapy light positioning

## Dimensions

60 x 42 x 20 In.  
(1521 x 1067 x 508 mm)

## Water Capacity

68 gallons - 259 liters

## Weight

81 lbs - 36 3/4 kg

## Bathing Well

54 3/4 In. x 26 1/2 In.

## Deep Sump Height

16.375 In. - 416 mm

## Deck Width

4.25 In. - 108 mm

## Drain location:

Left

Right

Project: \_\_\_\_\_

Contractor: \_\_\_\_\_

Representative: \_\_\_\_\_

Date: \_\_\_\_\_

Tel: \_\_\_\_\_

Notes: \_\_\_\_\_

# MAAX