

# Exhibit 7232 IFS AFR Acrylic Alcove Bathtub

**Model number:**

106226-R-097-001

**Dimensions:** 71.875" x 32" x 20"

**Installation:** Alcove

**Material:** Acrylic

## Standard Features:

- Rectangular shape bathtub in alcove installation
- Available in Above-the-Floor Rough (AFR) or not
- Minimalist look with discreet armrests and textured floor
- Integrated tiling flange
- When equipped with a system, the unit comes with an access panel

## Product characteristics:

- Made in North America
- Integrated Armrest
- Integrated Tiling Flange and Skirt

## Systems:

Whirlpool  
Combined Whirlpool/Aeroeffect  
Aeroeffect



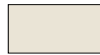
## Standard Colors:



White (001)



Bone (004)



Biscuit (007)

## Certifications

MAAX products adhere to one or more of the following certifications:



# MAAX

# Exhibit 7232 IFS AFR Acrylic Alcove Bathtub

**Model number:**

106226-R-097-001

**Dimensions:** 71.875" x 32" x 20"

**Installation:** Alcove

**Material:** Acrylic

## Dimensions

72 x 32 x 20 In.  
(1826 x 813 x 508 mm)

## Water Capacity

59 gallons - 223 liters

## Weight

92 lbs - 41 3/4 kg

## Bathing Well

66 1/2 In. x 26 In.

## Deep Sump Height

16.375 In. - 416 mm

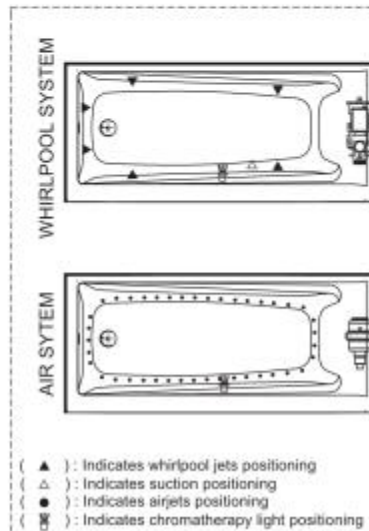
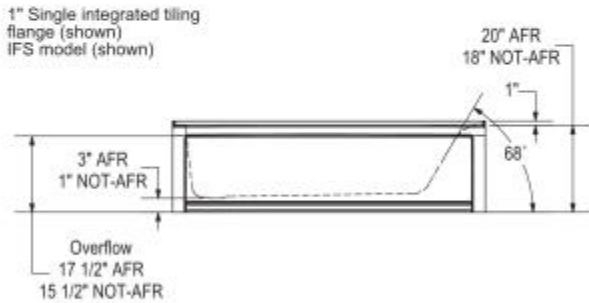
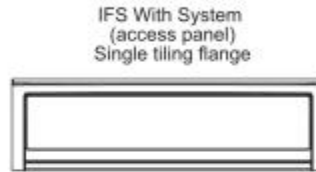
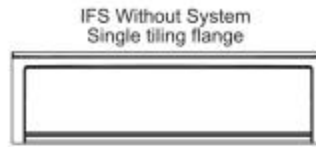
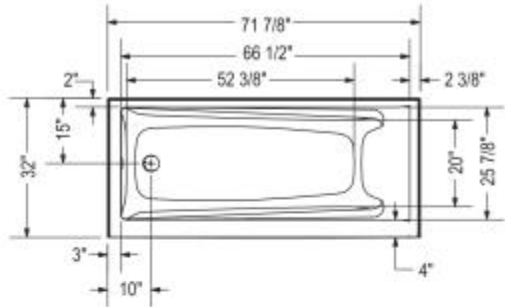
## Deck Width

4 In. - 102 mm

## Drain location:

Left

Right



Technical drawing is universal for all Exhibit 7232 configurations.

Wood support design may vary.  
Single Integrated tiling flange: 1" height x 1/4" thickness (shown)

All dimensions are approximate.  
Structure measurement must be verified against the unit to ensure proper fit.

Project: \_\_\_\_\_

Contractor: \_\_\_\_\_

Representative: \_\_\_\_\_

Date: \_\_\_\_\_

Tel: \_\_\_\_\_

Notes: \_\_\_\_\_

# MAAX