

Pose 7236 IF Acrylic Alcove Bathtub

Model number:

106210-L-103-001

Dimensions: 71.5" x 35.75" x 23.625"

Installation: Alcove

Material: Acrylic



Standard Features:

- Rectangular shape bathtub;with choices of two deck heights (3/8 or 2 in.) Please specify when ordering 6
- Alcove installation with integrated tiling flange (IF); model also available for drop-in or undermount 10 installation
- Textured floor
- Ample deck space for faucet installation
- Skirt with or without access panel available

Product characteristics:

- Integrated Tiling Flange
- Therapy System Available
- Textured Floor

Systems:

Whirlpool
Combined Whirlpool/Aeroeffect
Aeroeffect

Standard Colors:



White (001)



Bone (004)



Biscuit (007)

Certifications

MAAX products adhere to one or more of the following certifications:



MAAX

Pose 7236 IF Acrylic Alcove Bathtub

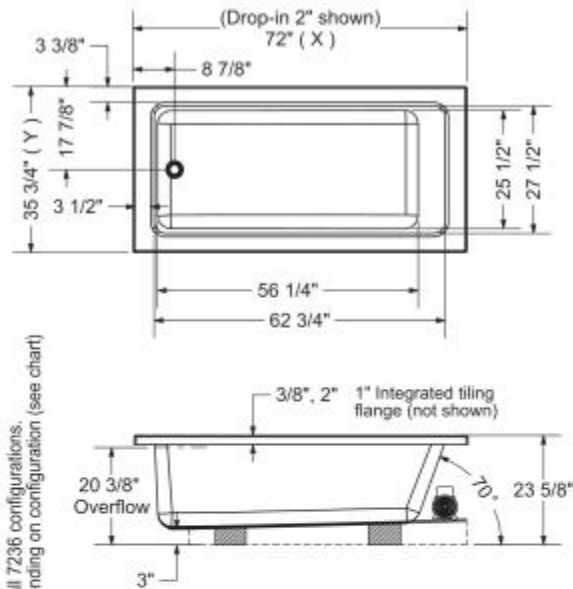
Model number:

106210-L-103-001

Dimensions: 71.5" x 35.75" x 23.625"

Installation: Alcove

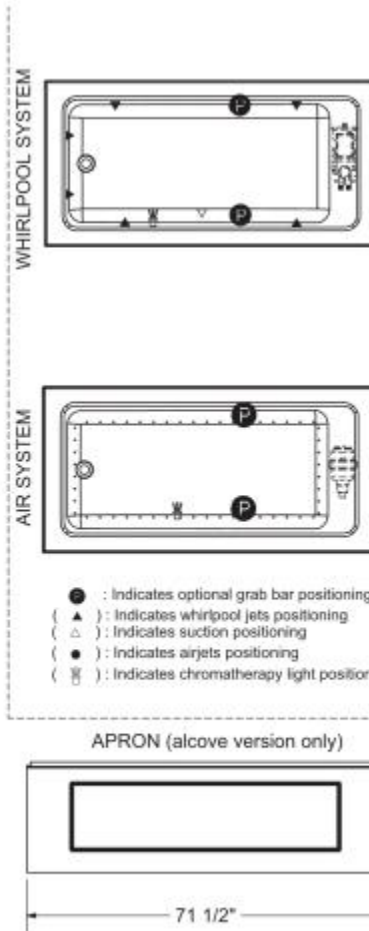
Material: Acrylic



Technical drawing is universal for all 7236 configurations. External dimension (X,Y) vary depending on configuration (see chart)

	DROP IN 2"	DROP IN 3/8"	ALCOVE / CORNER
X	72"	71 7/8"	71 1/2"
Y	35 3/4"	35 5/8"	35 3/8"

Wood support design may vary.
 Integrated tiling flange: 1" height X 1/4" thickness (not shown)
 Tiling flange position is determined by chosen configuration.
 All dimensions are approximate.
 Structure measurement must be verified against the unit to ensure proper fit.



- : Indicates optional grab bar positioning
- (▲) : Indicates whirlpool jets positioning
- (△) : Indicates suction positioning
- (●) : Indicates airjets positioning
- (◻) : Indicates chromatherapy light positioning

Dimensions

71 1/2 x 35 3/4 x 23 3/4 In.
 (1816 x 908 x 600 mm)

Water Capacity

92 gallons - 350 liters

Weight

82 lbs - 37 1/4 kg

Bathing Well

62 3/4 In. x 27 1/2 In.

Deep Sump Height

19.5 In. - 495 mm

Deck Width

3.375 In. - 86 mm

Drain location:

Left

Right

Project:

Contractor:

Representative:

Date:

Tel:

Notes:

MAAX