

Pose 7242 IF Acrylic Corner Left Bathtub

Model number:

106214-L-097-001

Dimensions: 71.5" x 41.625" x 23.625"

Installation: Corner

Material: Acrylic



Standard Features:

- Rectangular shape bathtub with choices of two deck heights (3/8 or 2 in.) Please specify when ordering.
- Integrated flange (IF) for corner installation
- Textured floor
- Ample deck space for faucet installation
- Right or left drain available

Product characteristics:

- Integrated Tiling Flange
- Easy Installation
- Textured Floor

Systems:

- Whirlpool
- Combined Whirlpool/Aeroeffect
- Aeroeffect

Standard Colors:



White (001)



Bone (004)



Biscuit (007)

Certifications

MAAX products adhere to one or more of the following certifications:



MAAX

Pose 7242 IF Acrylic Corner Left Bathtub

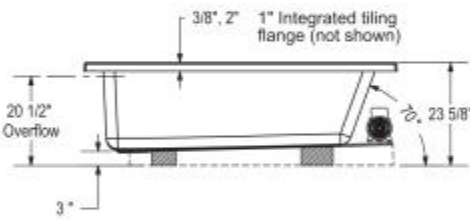
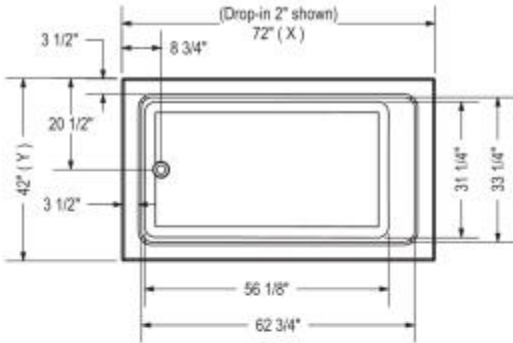
Model number:

106214-L-097-001

Dimensions: 71.5" x 41.625" x 23.625"

Installation: Corner

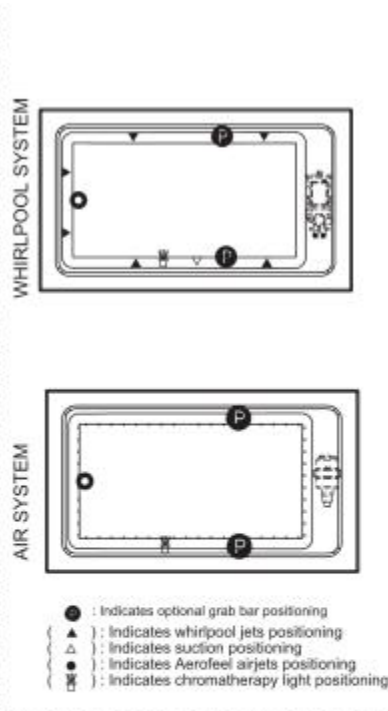
Material: Acrylic



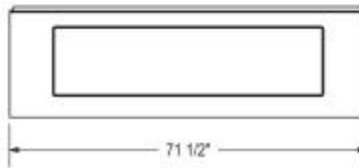
	DROP IN 2"	DROP IN 3/8"	ALCOVE / CORNER
X	72"	71 3/4"	71 1/2"
Y	42"	41 1/2"	41 5/8"

Wood support design may vary.
Integrated tiling flange: 1" height X 1/4" thickness (not shown)
Tiling flange position is determined by chosen configuration.

All dimensions are approximate.
Structure measurement must be verified against the unit to ensure proper fit.



APRON (alcove version only)



Dimensions

71 1/2 x 41 3/4 x 23 3/4 In.
(1816 x 1057 x 600 mm)

Water Capacity

116 gallons - 441 liters

Weight

95 lbs - 43 kg

Bathing Well

62 3/4 In. x 33 1/4 In.

Deep Sump Height

20 In. - 508 mm

Deck Width

3.5 In. - 89 mm

Drain location:

Left

Right

Project:

Contractor:

Representative:

Date:

Tel:

Notes:

MAAX