

# Pose 6032 IF Acrylic Corner Right Bathtub

**Model number:**

106203-L-103-001

**Dimensions:** 59.625" x 31.625" x 23.625"

**Installation:** Corner

**Material:** Acrylic



## Standard Features:

- Rectangular shape bathtub with choices of two deck heights (3/8 or 2 in.) Please specify when ordering.
- Integrated flange (IF) for corner installation
- Textured floor
- Ample deck space for faucet installation
- Right or left drain available

## Product characteristics:

- Integrated Tiling Flange
- Easy Installation
- Textured Floor

## Systems:

- Whirlpool
- Combined Whirlpool/Aeroeffect
- Aeroeffect

## Standard Colors:



White (001)



Bone (004)



Biscuit (007)

## Certifications

MAAX products adhere to one or more of the following certifications:



# MAAX

# Pose 6032 IF Acrylic Corner Right Bathtub

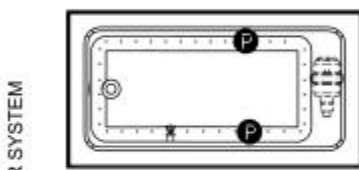
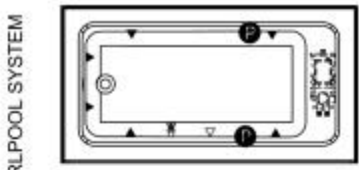
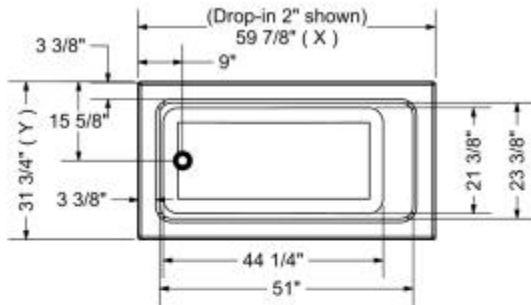
**Model number:**

106203-L-103-001

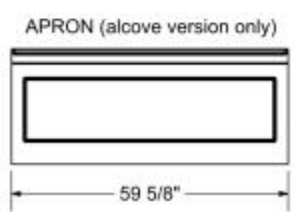
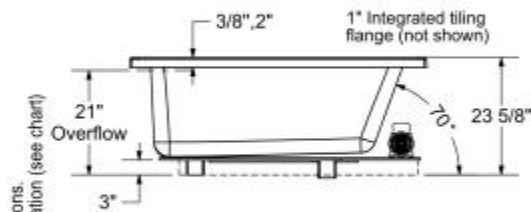
**Dimensions:** 59.625" x 31.625" x 23.625"

**Installation:** Corner

**Material:** Acrylic



- : Indicates optional grab bar positioning
- ( ▲ ) : Indicates whirlpool jets positioning
- ( △ ) : Indicates suction positioning
- ( ● ) : Indicates airjets positioning
- ( ☒ ) : Indicates chromotherapy light positioning



	DROP IN 2"	DROP IN 3/8"	ALCOVE / CORNER
X	59 7/8"	59 3/4"	59 5/8"
Y	31 3/4"	31 5/8"	31 5/8"

Technical drawing is universal for all 6032 configurations.  
 External dimension (X,Y) vary depending on configuration (see chart)

Wood support design may vary.  
 Integrated tiling flange: 1" height X 1/4" thickness (not shown)  
 Tiling flange position is determined by chosen configuration.  
 All dimensions are approximate.  
 Structure measurement must be verified against the unit to ensure proper fit.

**Dimensions**  
 59 3/4 x 31 3/4 x 23 3/4 In.  
 (1514 x 803 x 600 mm)

**Water Capacity**  
 64 gallons - 241 liters

**Weight**  
 61 lbs - 27 3/4 kg

**Bathing Well**  
 51 In. x 23 1/2 In.

**Deep Sump Height**  
 18 In. - 457 mm

**Deck Width**  
 3.375 In. - 86 mm

**Drain location:**  
 Left  
 Right

Project: \_\_\_\_\_

Contractor: \_\_\_\_\_

Representative: \_\_\_\_\_

Date: \_\_\_\_\_

Tel: \_\_\_\_\_

Notes: \_\_\_\_\_

\_\_\_\_\_

\_\_\_\_\_

