

# Exhibit 6042 IF Acrylic Alcove Bathtub

**Model number:**

106174-L-103-001

**Dimensions:** 59.875" x 42" x 18"

**Installation:** Alcove

**Material:** Acrylic

## Standard Features:

- Rectangular shape bathtub
- Drop-in or alcove installation with tiling flange
- Minimalist look with discreet armrests and textured floor
- End drain

## Product characteristics:

- Made in North America
- Integrated Armrest
- Integrated Tiling Flange

## Systems:

- Product Pack
- Whirlpool
- Combined Whirlpool/Aeroeffect
- Aeroeffect



## Standard Colors:



White (001)



Bone (004)



Biscuit (007)

## Certifications

MAAX products adhere to one or more of the following certifications:



## Recommended products (Visit our website for a complete list of our recommended products)

No	Description
<input type="checkbox"/> 135330	Incognito 57 Shaker 56-59 x 56 ¾ in. 8mm Sliding Tub Door for Alcove Installation
<input type="checkbox"/> 136270	Duel 56-59 x 55 ½ x 59 in. 8 mm Bypass Tub Door for Alcove Installation
<input type="checkbox"/> 836100	Oxford 54-59 ½ x 57 in. Sliding Tub Door for Alcove Installation

# MAAX

# Exhibit 6042 IF Acrylic Alcove Bathtub

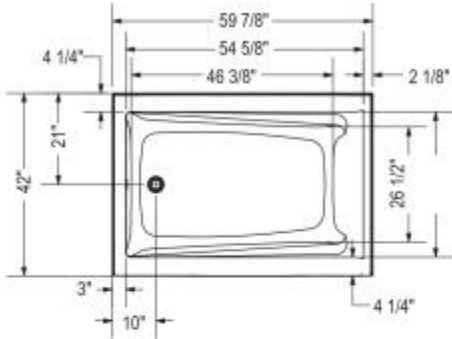
**Model number:**

106174-L-103-001

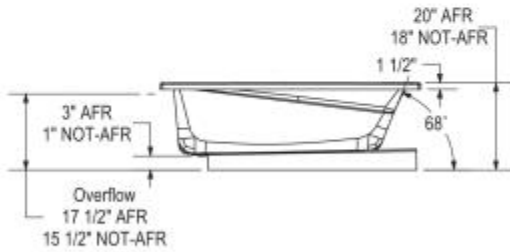
**Dimensions:** 59.875" x 42" x 18"

**Installation:** Alcove

**Material:** Acrylic



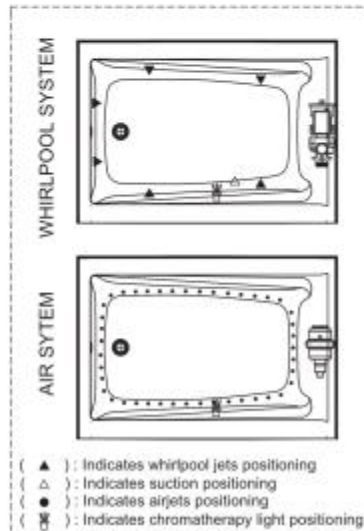
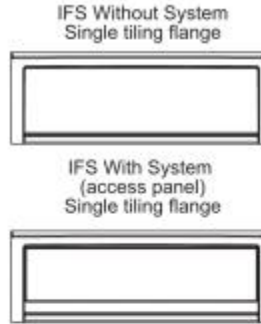
1" Single integrated tiling flange (not shown)  
Drop-in model (Shown)



Technical drawing is universal for all Exhibit 6042 configurations.

Wood support design may vary.  
Single Integrated tiling flange: 1" height x 1/4" thickness (not shown)

All dimensions are approximate.  
Structure measurement must be verified against the unit to ensure proper fit.



## Dimensions

60 x 42 x 18 In.  
(1521 x 1067 x 457 mm)

## Water Capacity

68 gallons - 259 liters

## Weight

73 lbs - 33 kg

## Bathing Well

54 3/4 In. x 26 1/2 In.

## Deep Sump Height

16.375 In. - 416 mm

## Deck Width

4.25 In. - 108 mm

## Drain location:

Left

Right

Project: \_\_\_\_\_

Contractor: \_\_\_\_\_

Representative: \_\_\_\_\_

Date: \_\_\_\_\_

Tel: \_\_\_\_\_

Notes: \_\_\_\_\_

# MAAX