

# Exhibit 6042 Acrylic Drop-in Bathtub

**Model number:**

106250-097-001

**Dimensions:** 59.875" x 42" x 18"

**Installation:** Drop-in

**Material:** Acrylic



## Standard Features:

- Rectangular shape bathtub
- Drop-in or alcove installation with tiling flange
- Minimalist look with discreet armrests and textured floor
- End drain

## Product characteristics:

- Made in North America
- Integrated Armrest
- Therapy System Available

## Systems:

- Product Pack
- Whirlpool
- Combined Whirlpool/Aeroeffect
- Aeroeffect

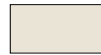
## Standard Colors:



White (001)



Bone (004)



Biscuit (007)

## Certifications

MAAX products adhere to one or more of the following certifications:



# MAAX

# Exhibit 6042 Acrylic Drop-in Bathtub

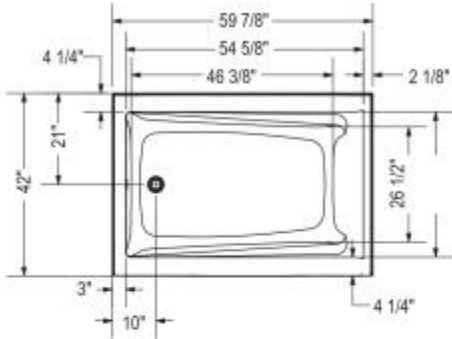
**Model number:**

106250-097-001

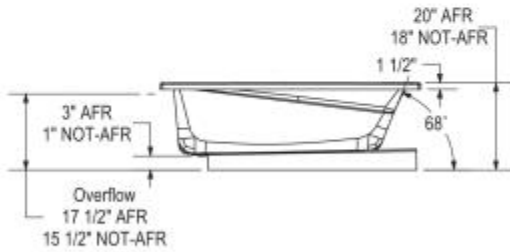
**Dimensions:** 59.875" x 42" x 18"

**Installation:** Drop-in

**Material:** Acrylic



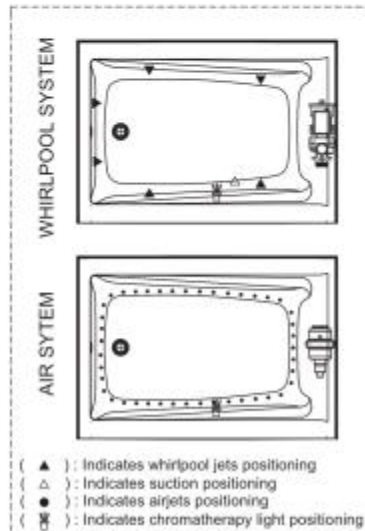
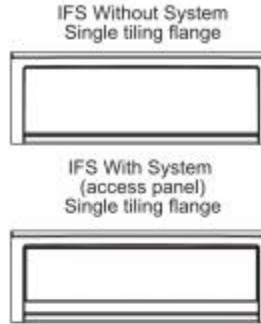
1" Single integrated tiling flange (not shown)  
Drop-in model (Shown)



Technical drawing is universal for all Exhibit 6042 configurations.

Wood support design may vary.  
Single Integrated tiling flange: 1" height x 1/4" thickness (not shown)

All dimensions are approximate.  
Structure measurement must be verified against the unit to ensure proper fit.



## Dimensions

60 x 42 x 18 In.  
(1521 x 1067 x 457 mm)

## Water Capacity

68 gallons - 259 liters

## Weight

73 lbs - 33 kg

## Bathing Well

54 3/4 In. x 33 1/2 In.

## Deep Sump Height

16.375 In. - 416 mm

## Deck Width

4.25 In. - 108 mm

## Drain location:

End

Project: \_\_\_\_\_

Contractor: \_\_\_\_\_

Representative: \_\_\_\_\_

Date: \_\_\_\_\_

Tel: \_\_\_\_\_

Notes: \_\_\_\_\_

# MAAX