

Exhibit 6634 Acrylic Drop-in Bathtub

Model number:

106219-097-001

Dimensions: 65.875" x 34" x 18"

Installation: Drop-in

Material: Acrylic



Standard Features:

- Rectangular shape bathtub
- Drop-in installation
- Minimalist look with discreet armrests and textured floor
- End drain

Product characteristics:

- Made in North America
- Integrated Armrest
- Therapy System Available

Systems:

- Whirlpool
- Combined Whirlpool/Aeroeffect
- Aeroeffect

Standard Colors:



White (001)



Bone (004)



Biscuit (007)

Certifications

MAAX products adhere to one or more of the following certifications:



Recommended products (Visit our website for a complete list of our recommended products)

No	Description
<input type="checkbox"/> 137502	Edge Duo 42 x 58 in. 8 mm Pivot Tub Shield

MAAX

Exhibit 6634 Acrylic Drop-in Bathtub

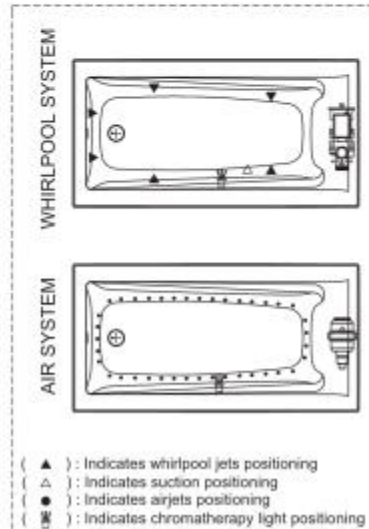
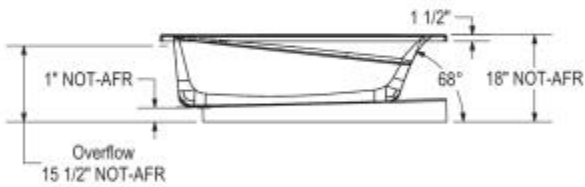
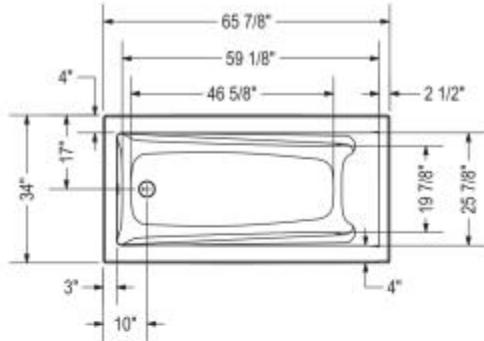
Model number:

106219-097-001

Dimensions: 65.875" x 34" x 18"

Installation: Drop-in

Material: Acrylic



- (▲) : Indicates whirlpool jets positioning
- (△) : Indicates suction positioning
- (●) : Indicates airjets positioning
- (■) : Indicates chromotherapy light positioning

All dimensions are approximate.
Structure measurement must be verified against the unit to ensure proper fit.

Dimensions

66 x 34 x 18 In.
(1673 x 864 x 457 mm)

Water Capacity

55 gallons - 209 liters

Weight

75 lbs - 34 kg

Bathing Well

59 1/4 In. x 26 In.

Deep Sump Height

16.375 In. - 416 mm

Deck Width

4 In. - 102 mm

Drain location:

End

Project: _____

Contractor: _____

Representative: _____

Date: _____

Tel: _____

Notes: _____

MAAX