

# Pose 6636 IF Acrylic Corner Right Bathtub

**Model number:**

106209-R-097-001

**Dimensions:** 65.75" x 35.625" x 23.625"

**Installation:** Corner

**Material:** Acrylic



## Standard Features:

- Rectangular shape bathtub with choices of two deck heights (3/8 or 2 in.) Please specify when ordering.
- Integrated flange (IF) for corner installation
- Textured floor
- Ample deck space for faucet installation
- Right or left drain available

## Product characteristics:

- Integrated Tiling Flange
- Easy Installation
- Textured Floor

## Systems:

- Whirlpool
- Combined Whirlpool/Aeroeffect
- Aeroeffect

## Standard Colors:



White (001)



Bone (004)



Biscuit (007)

## Certifications

MAAX products adhere to one or more of the following certifications:



# MAAX

# Pose 6636 IF Acrylic Corner Right Bathtub

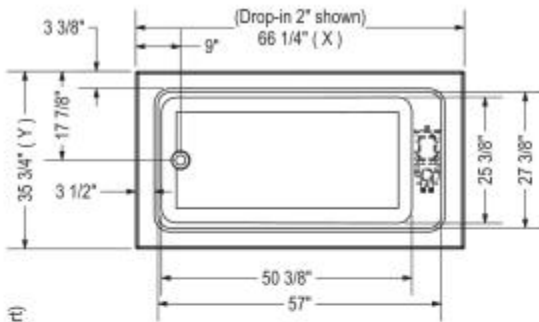
**Model number:**

106209-R-097-001

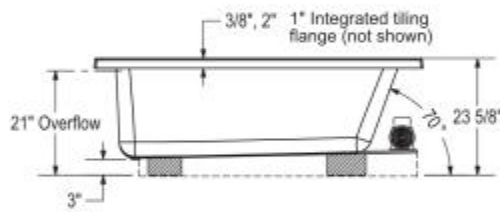
**Dimensions:** 65.75" x 35.625" x 23.625"

**Installation:** Corner

**Material:** Acrylic



Technical drawing is universal for all 6636 configurations. External dimension (X,Y) vary depending on configuration (see chart)

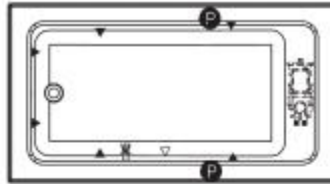


	DROP IN 2"	DROP IN 3/8"	ALCOVE / CORNER
X	66 1/4"	66"	65 3/4"
Y	35 3/4"	35 5/8"	35 5/8"

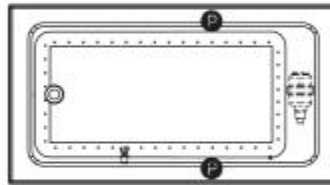
Wood support design may vary.  
Integrated tiling flange: 1" height X 1/4" thickness (not shown)  
Tiling flange position is determined by chosen configuration.

All dimensions are approximate.  
Structure measurement must be verified against the unit to ensure proper fit.

WHIRLPOOL SYSTEM



AIR SYSTEM



- : Indicates optional grab bar positioning
- ( ▲ ) : Indicates whirlpool jets positioning
- ( △ ) : Indicates suction positioning
- : Indicates airjets positioning
- ( ☒ ) : Indicates chromatherapy light positioning

APRON (alcove version only)



## Dimensions

65 3/4 x 35 3/4 x 23 3/4 In.  
(1670 x 905 x 600 mm)

## Water Capacity

85 gallons - 323 liters

## Weight

75 lbs - 34 kg

## Bathing Well

57 In. x 27 1/2 In.

## Deep Sump Height

19.625 In. - 498 mm

## Deck Width

3.375 In. - 86 mm

## Drain location:

Left

Right

Project: \_\_\_\_\_

Contractor: \_\_\_\_\_

Representative: \_\_\_\_\_

Date: \_\_\_\_\_

Tel: \_\_\_\_\_

Notes: \_\_\_\_\_

# MAAX