

# Pose 6636 IF Acrylic Alcove Bathtub

**Model number:**

106207-L-103-001

**Dimensions:** 65.75" x 35.625" x 23.625"

**Installation:** Alcove

**Material:** Acrylic



## Standard Features:

- Rectangular shape bathtub; with choices of two deck heights (3/8 or 2 in.) Please specify when ordering 6
- Alcove installation with integrated tiling flange (IF); model also available for drop-in or undermount 10 installation
- Textured floor
- Ample deck space for faucet installation
- Skirt with or without access panel available

## Product characteristics:

- Integrated Tiling Flange
- Therapy System Available
- Textured Floor

## Systems:

- Whirlpool
- Combined Whirlpool/Aeroeffect
- Aeroeffect

## Standard Colors:



White (001)



Bone (004)



Biscuit (007)

## Certifications

MAAX products adhere to one or more of the following certifications:



# MAAX

# Pose 6636 IF Acrylic Alcove Bathtub

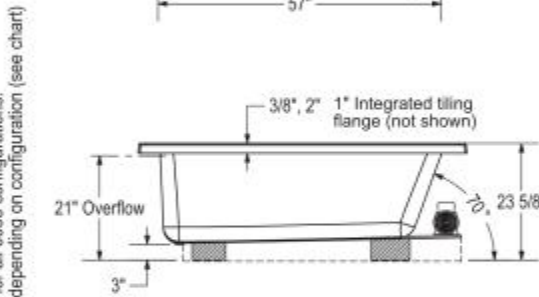
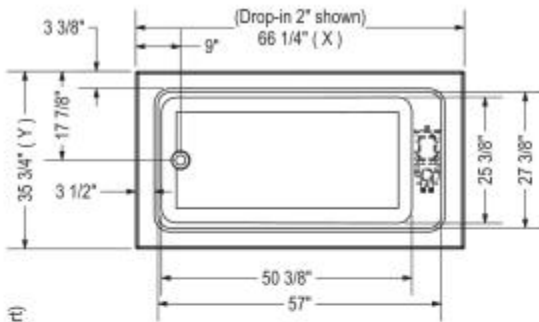
**Model number:**

106207-L-103-001

**Dimensions:** 65.75" x 35.625" x 23.625"

**Installation:** Alcove

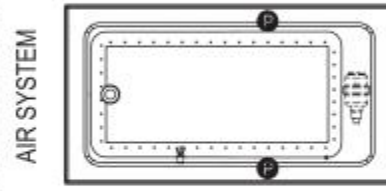
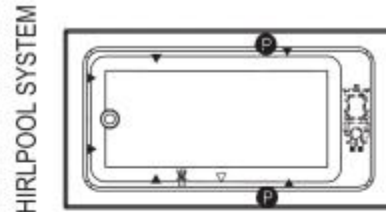
**Material:** Acrylic



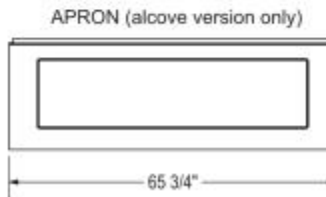
	DROP IN 2"	DROP IN 3/8"	ALCOVE / CORNER
X	66 1/4"	66"	65 3/4"
Y	35 3/4"	35 5/8"	35 5/8"

Wood support design may vary.  
 Integrated tiling flange: 1" height X 1/4" thickness (not shown)  
 Tiling flange position is determined by chosen configuration.

All dimensions are approximate.  
 Structure measurement must be verified against the unit to ensure proper fit.



- : Indicates optional grab bar positioning
- ( ▲ ) : Indicates whirlpool jets positioning
- ( △ ) : Indicates suction positioning
- ( ● ) : Indicates airjets positioning
- ( ☼ ) : Indicates chromotherapy light positioning



## Dimensions

65 3/4 x 35 3/4 x 23 3/4 In.  
 (1670 x 905 x 600 mm)

## Water Capacity

85 gallons - 323 liters

## Weight

75 lbs - 34 kg

## Bathing Well

57 In. x 27 1/2 In.

## Deep Sump Height

19.625 In. - 498 mm

## Deck Width

3.375 In. - 86 mm

## Drain location:

Left

Right

Project:

Contractor:

Representative:

Date:

Tel:

Notes:

# MAAX