

# Pose 7242 IF Acrylic Alcove Bathtub

**Model number:**

106213-L-003-001

**Dimensions:** 72" x 42" x 23.625"

**Installation:** Alcove

**Material:** Acrylic



## Standard Features:

- Rectangular shape bathtub; with choices of two deck heights (3/8 or 2 in.) Please specify when ordering 6
- Alcove installation with integrated tiling flange (IF); model also available for drop-in or undermount 10 installation
- Textured floor
- Ample deck space for faucet installation
- Skirt with or without access panel available

## Product characteristics:

- Integrated Tiling Flange
- Therapy System Available
- Textured Floor

## Systems:

- Whirlpool
- Combined Whirlpool/Aeroeffect
- Aeroeffect

## Standard Colors:



White (001)



Bone (004)



Biscuit (007)

## Certifications

MAAX products adhere to one or more of the following certifications:



# MAAX

# Pose 7242 IF Acrylic Alcove Bathtub

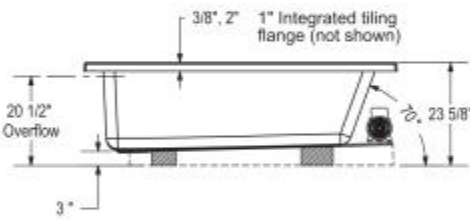
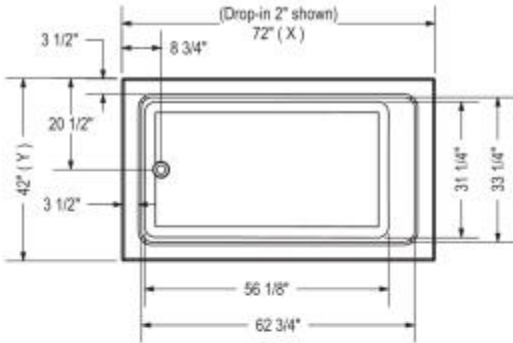
**Model number:**

106213-L-003-001

**Dimensions:** 72" x 42" x 23.625"

**Installation:** Alcove

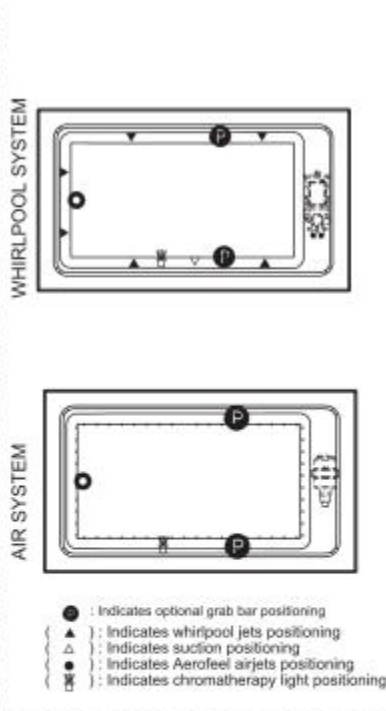
**Material:** Acrylic



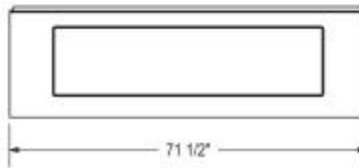
	DROP IN 2"	DROP IN 3/8"	ALCOVE / CORNER
X	72"	71 3/4"	71 1/2"
Y	42"	41 1/2"	41 5/8"

Wood support design may vary.  
Integrated tiling flange: 1" height X 1/4" thickness (not shown)  
Tiling flange position is determined by chosen configuration.

All dimensions are approximate.  
Structure measurement must be verified against the unit to ensure proper fit.



APRON (alcove version only)



## Dimensions

72 x 42 x 23 3/4 In.  
(1829 x 1067 x 600 mm)

## Water Capacity

116 gallons - 441 liters

## Weight

95 lbs - 43 kg

## Bathing Well

62 3/4 In. x 33 1/4 In.

## Deep Sump Height

20 In. - 508 mm

## Deck Width

3.5 In. - 89 mm

## Drain location:

Left

Right

Technical drawing is universal for all 7242 configurations.  
External dimension (X,Y) vary depending on configuration (see chart)

Project:

Contractor:

Representative:

Date:

Tel:

Notes:

# MAAX