

Exhibit 7236 IF Acrylic Alcove Bathtub

Model number:

106182-R-003-001

Dimensions: 71.875" x 36" x 18"

Installation: Alcove

Material: Acrylic

Standard Features:

- Rectangular shape bathtub
- Drop-in or alcove installation with tiling flange
- Minimalist look with discreet armrests and textured floor
- End drain

Product characteristics:

- Made in North America
- Integrated Armrest
- Integrated Tiling Flange

Systems:

- Whirlpool
- Combined Whirlpool/Aeroeffect
- Aeroeffect



Standard Colors:



White (001)



Bone (004)



Biscuit (007)

Certifications

MAAX products adhere to one or more of the following certifications:



MAAX

Exhibit 7236 IF Acrylic Alcove Bathtub

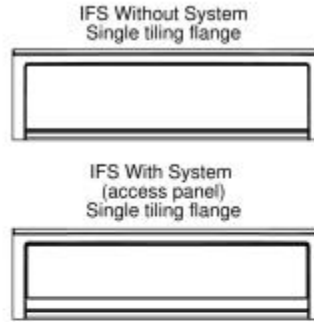
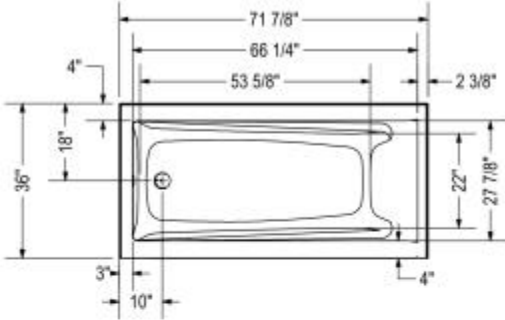
Model number:

106182-R-003-001

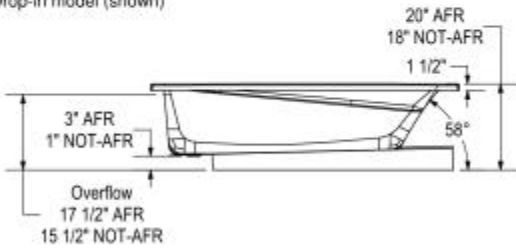
Dimensions: 71.875" x 36" x 18"

Installation: Alcove

Material: Acrylic



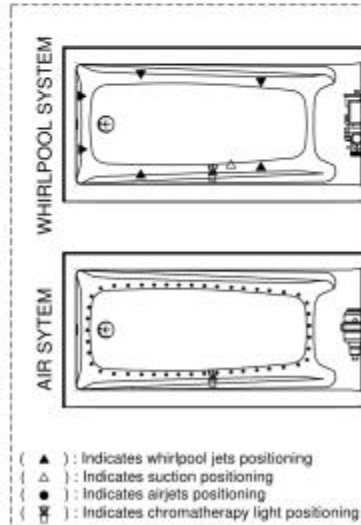
1" Single integrated tiling flange (not shown)
Drop-in model (shown)



Technical drawing is universal for all Exhibit 7236 configurations.

Wood support design may vary.
Single integrated tiling flange: 1" height x 1/4" thickness (not shown)

All dimensions are approximate.
Structure measurement must be verified against the unit to ensure proper fit.



- (▲) : Indicates whirlpool jets positioning
- (▽) : Indicates suction positioning
- (●) : Indicates airjets positioning
- (■) : Indicates chromatherapy light positioning

Dimensions

72 x 36 x 18 In.
(1826 x 914 x 457 mm)

Water Capacity

64 gallons - 241 liters

Weight

83 lbs - 37 3/4 kg

Bathing Well

66 1/4 In. x 28 In.

Deep Sump Height

16.375 In. - 416 mm

Deck Width

4 In. - 102 mm

Drain location:

Left

Right

Project:

Contractor:

Representative:

Date:

Tel:

Notes:

MAAX