

Saturna 6036 Acrylic Drop-in Bathtub

Model number:

106167-103-001

Dimensions: 60" x 36" x 20"

Installation: Drop-in

Material: Acrylic



Standard Features:

- Oval shape bathtub
- Drop-in installation
- End drain
- No skirt available

Product characteristics:

- Made in North America
- Elegant Design
- Comfortable Backrest

Systems:

- Whirlpool
- Combined Whirlpool/Aeroeffect
- Aeroeffect

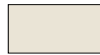
Standard Colors:



White (001)



Bone (004)



Biscuit (007)

Certifications

MAAX products adhere to one or more of the following certifications:



MAAX

Saturna 6036 Acrylic Drop-in Bathtub

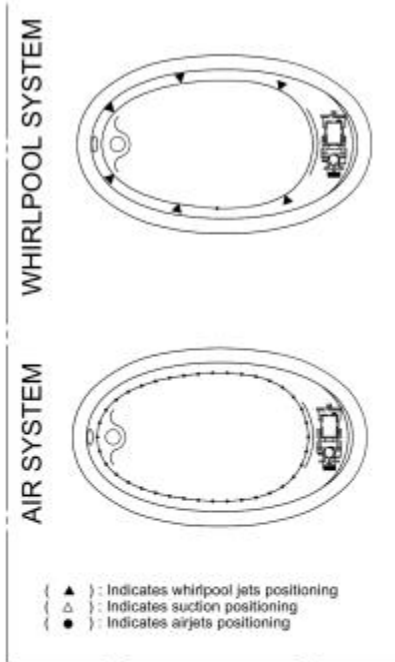
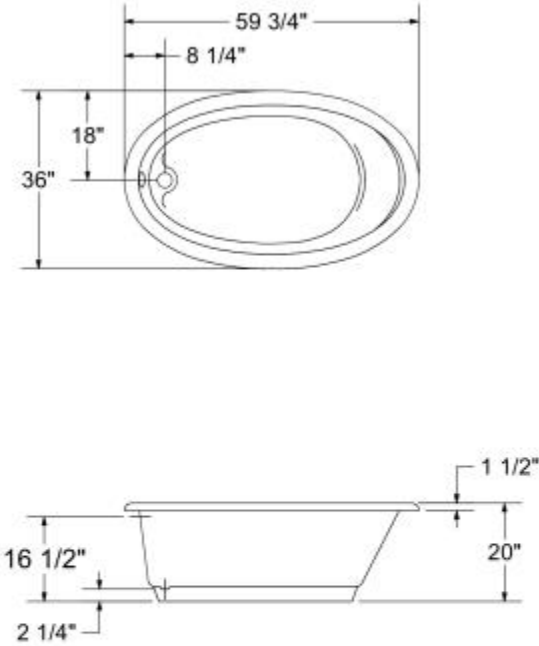
Model number:

106167-103-001

Dimensions: 60" x 36" x 20"

Installation: Drop-in

Material: Acrylic



Dimensions

60 x 36 x 20 In.
(1524 x 914 x 508 mm)

Water Capacity

55 gallons - 209 liters

Weight

90 lbs - 40 3/4 kg

Bathing Well

54 1/4 In. x 28 3/4 In.

Deep Sump Height

17 In. - 432 mm

Deck Width

2.875 In. - 73 mm

Drain location:

Center

All dimensions are approximate.
Structure measurement must be verified against the unit to ensure proper fit.

Project: _____

Contractor: _____

Representative: _____

Date: _____

Tel: _____

Notes: _____

MAAX