

Exhibit 6042 IF Acrylic Alcove Bathtub

Model number:

106174-L-097-001

Dimensions: 59.875" x 42" x 18"

Installation: Alcove

Material: Acrylic

Standard Features:

- Rectangular shape bathtub
- Drop-in or alcove installation with tiling flange
- Minimalist look with discreet armrests and textured floor
- End drain

Product characteristics:

- Made in North America
- Integrated Armrest
- Integrated Tiling Flange

Systems:

- Product Pack
- Whirlpool
- Combined Whirlpool/Aeroeffect
- Aeroeffect



Standard Colors:



White (001)



Bone (004)



Biscuit (007)

Certifications

MAAX products adhere to one or more of the following certifications:



Recommended products (Visit our website for a complete list of our recommended products)

No	Description
<input type="checkbox"/> 136270	Duel 56-59 x 55 ½ x 59 in. 8 mm Bypass Tub Door for Alcove Installation
<input type="checkbox"/> 136692	Revelation Round 56-59 x 56 ¾-59 ¼ in. 6mm Sliding Tub Door for Alcove Installation
<input type="checkbox"/> 135246	Connect 57-58 ½ x 57 in. 6mm Sliding Tub Door for Alcove Installation

MAAX

Exhibit 6042 IF Acrylic Alcove Bathtub

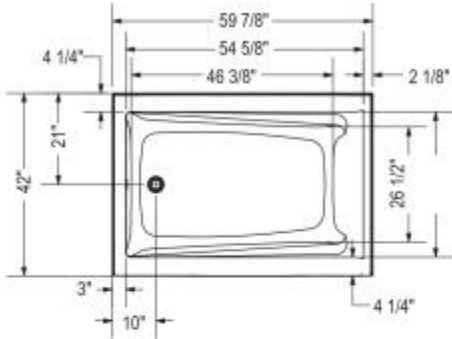
Model number:

106174-L-097-001

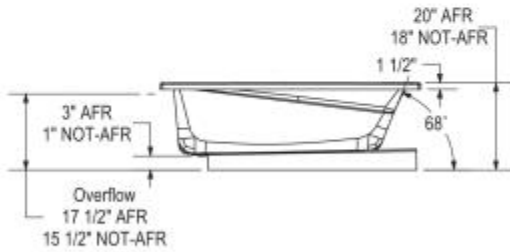
Dimensions: 59.875" x 42" x 18"

Installation: Alcove

Material: Acrylic



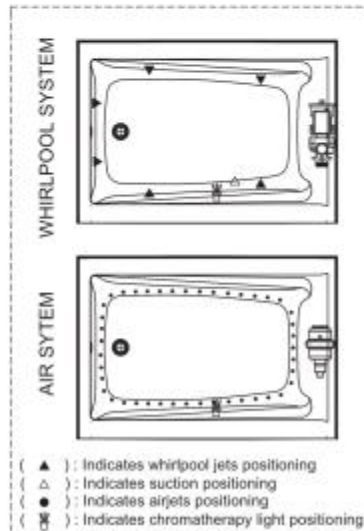
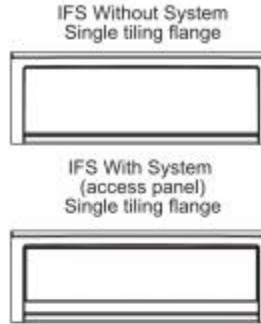
1" Single integrated tiling flange (not shown)
Drop-in model (Shown)



Technical drawing is universal for all Exhibit 6042 configurations.

Wood support design may vary.
Single Integrated tiling flange: 1" height x 1/4" thickness (not shown)

All dimensions are approximate.
Structure measurement must be verified against the unit to ensure proper fit.



- (▲) : Indicates whirlpool jets positioning
- (△) : Indicates suction positioning
- (●) : Indicates airjets positioning
- (☼) : Indicates chromatherapy light positioning

Dimensions

60 x 42 x 18 In.
(1521 x 1067 x 457 mm)

Water Capacity

68 gallons - 259 liters

Weight

73 lbs - 33 kg

Bathing Well

54 3/4 In. x 26 1/2 In.

Deep Sump Height

16.375 In. - 416 mm

Deck Width

4.25 In. - 108 mm

Drain location:

Left

Right

Project: _____

Contractor: _____

Representative: _____

Date: _____

Tel: _____

Notes: _____

MAAX