

# Pose 7242 IF Acrylic Corner Left Bathtub

**Model number:**

106214-R-097-001

**Dimensions:** 71.5" x 41.625" x 23.625"

**Installation:** Corner

**Material:** Acrylic



## Standard Features:

- Rectangular shape bathtub with choices of two deck heights (3/8 or 2 in.) Please specify when ordering.
- Integrated flange (IF) for corner installation
- Textured floor
- Ample deck space for faucet installation
- Right or left drain available

## Product characteristics:

- Integrated Tiling Flange
- Easy Installation
- Textured Floor

## Systems:

- Whirlpool
- Combined Whirlpool/Aeroeffect
- Aeroeffect

## Standard Colors:



White (001)



Bone (004)



Biscuit (007)

## Certifications

MAAX products adhere to one or more of the following certifications:



# MAAX

# Pose 7242 IF Acrylic Corner Left Bathtub

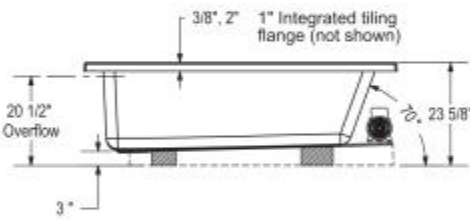
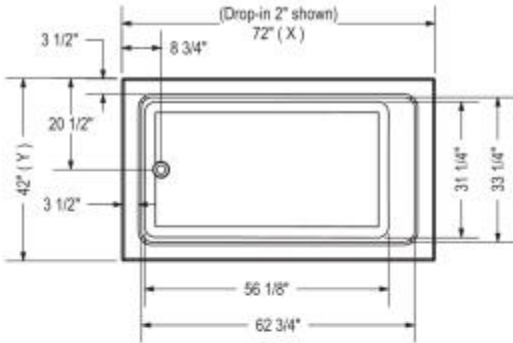
**Model number:**

106214-R-097-001

**Dimensions:** 71.5" x 41.625" x 23.625"

**Installation:** Corner

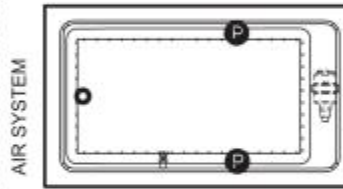
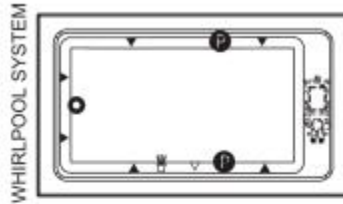
**Material:** Acrylic



	DROP IN 2"	DROP IN 3/8"	ALCOVE / CORNER
X	72"	71 3/4"	71 1/2"
Y	42"	41 1/2"	41 5/8"

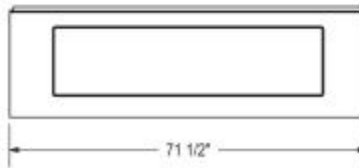
Wood support design may vary.  
Integrated tiling flange: 1" height X 1/4" thickness (not shown)  
Tiling flange position is determined by chosen configuration.

All dimensions are approximate.  
Structure measurement must be verified against the unit to ensure proper fit.



- : Indicates optional grab bar positioning
- { ▲ } : Indicates whirlpool jets positioning
- { △ } : Indicates suction positioning
- : Indicates Aerofeel airjets positioning
- { ✕ } : Indicates chromatherapy light positioning

APRON (alcove version only)



## Dimensions

71 1/2 x 41 3/4 x 23 3/4 In.  
(1816 x 1057 x 600 mm)

## Water Capacity

116 gallons - 441 liters

## Weight

95 lbs - 43 kg

## Bathing Well

62 3/4 In. x 33 1/4 In.

## Deep Sump Height

20 In. - 508 mm

## Deck Width

3.5 In. - 89 mm

## Drain location:

Left

Right

Project:

Contractor:

Representative:

Date:

Tel:

Notes:

# MAAX