

Exhibit 6042 IFS AFR Acrylic Alcove Bathtub

Model number:

106176-L-003-001

Dimensions: 59.875" x 42" x 20"

Installation: Alcove

Material: Acrylic



Standard Features:

- Rectangular shape bathtub in alcove installation
- Available in Above-the-Floor Rough (AFR) or not
- Minimalist look with discreet armrests and textured floor
- Deck for faucet installation
- When equipped with a system, the unit comes with an access panel

Product characteristics:

- Made in North America
- Integrated Armrest
- Integrated Tiling Flange and Skirt

Systems:

- Whirlpool
- Combined Whirlpool/Aeroeffect
- Aeroeffect

Standard Colors:



White (001)



Bone (004)



Biscuit (007)

Certifications

MAAX products adhere to one or more of the following certifications:



Recommended products (Visit our website for a complete list of our recommended products)

No	Description
<input type="checkbox"/> 136270	Duel 56-59 x 55 ½ x 59 in. 8 mm Bypass Tub Door for Alcove Installation
<input type="checkbox"/> 136692	Revelation Round 56-59 x 56 ¾-59 ¼ in. 6mm Sliding Tub Door for Alcove Installation
<input type="checkbox"/> 135246	Connect 57-58 ½ x 57 in. 6mm Sliding Tub Door for Alcove Installation

MAAX

Exhibit 6042 IFS AFR Acrylic Alcove Bathtub

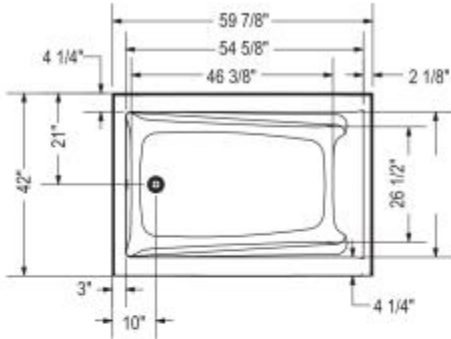
Model number:

106176-L-003-001

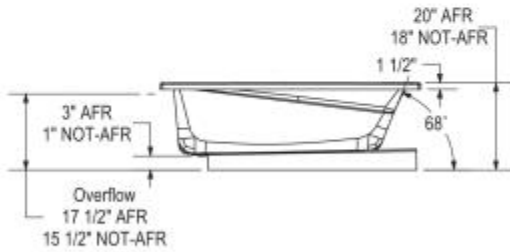
Dimensions: 59.875" x 42" x 20"

Installation: Alcove

Material: Acrylic



1" Single integrated tiling flange (not shown)
Drop-in model (Shown)



Technical drawing is universal for all Exhibit 6042 configurations.

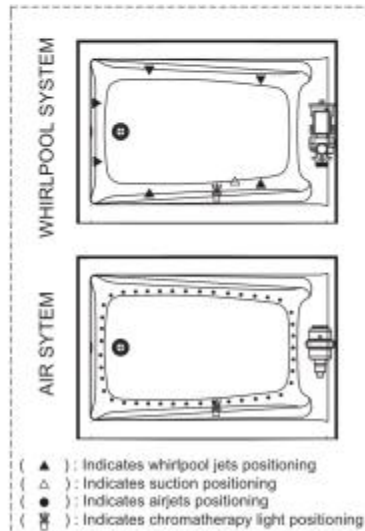
Wood support design may vary.
Single Integrated tiling flange: 1" height x 1/4" thickness (not shown)

All dimensions are approximate.
Structure measurement must be verified against the unit to ensure proper fit.

IFS Without System
Single tiling flange



IFS With System
(access panel)
Single tiling flange



- (▲) : Indicates whirlpool jets positioning
- (△) : Indicates suction positioning
- (●) : Indicates airjets positioning
- (☼) : Indicates chromatherapy light positioning

Dimensions

60 x 42 x 20 In.
(1521 x 1067 x 508 mm)

Water Capacity

68 gallons - 259 liters

Weight

81 lbs - 36 3/4 kg

Bathing Well

54 3/4 In. x 26 1/2 In.

Deep Sump Height

16.375 In. - 416 mm

Deck Width

4.25 In. - 108 mm

Drain location:

Left

Right

Project:

Contractor:

Representative:

Date:

Tel:

Notes:

MAAX