

Exhibit 7242 IFS AFR Acrylic Alcove Bathtub

Model number:

106188-R-003-001

Dimensions: 71.875" x 42" x 20"

Installation: Alcove

Material: Acrylic

Standard Features:

- Rectangular shape bathtub in alcove installation
- Available in Above-the-Floor Rough (AFR) or not
- Minimalist look with discreet armrests and textured floor
- Integrated tiling flange
- When equipped with a system, the unit comes with an access panel

Product characteristics:

- Made in North America
- Integrated Armrest
- Integrated Tiling Flange and Skirt

Systems:

Whirlpool
Combined Whirlpool/Aeroeffect
Aeroeffect



Standard Colors:



White (001)



Bone (004)



Biscuit (007)

Certifications

MAAX products adhere to one or more of the following certifications:



MAAX

Exhibit 7242 IFS AFR Acrylic Alcove Bathtub

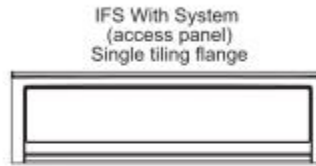
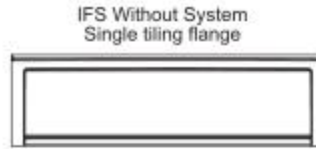
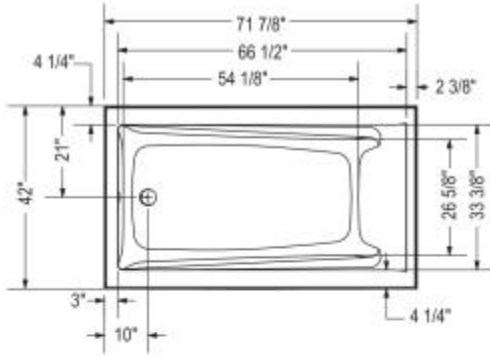
Model number:

106188-R-003-001

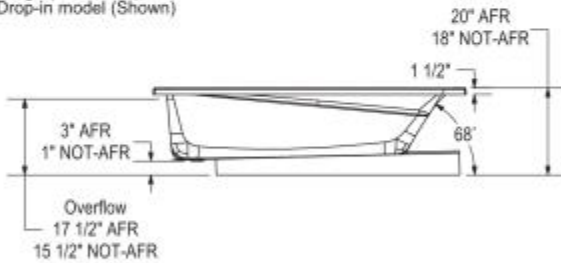
Dimensions: 71.875" x 42" x 20"

Installation: Alcove

Material: Acrylic



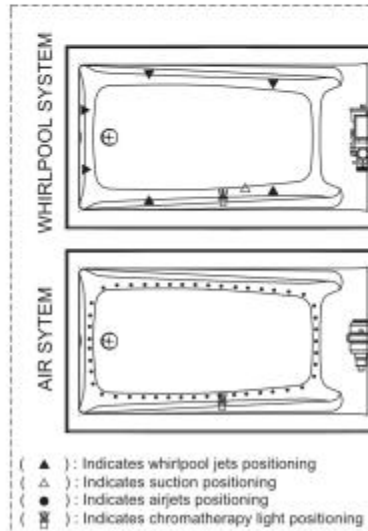
1" Single integrated tiling flange (not shown)
Drop-in model (Shown)



Technical drawing is universal for all Exhibit 7242 configurations.

Wood support design may vary.
Single Integrated tiling flange: 1" height x 1/4" thickness (not shown)

All dimensions are approximate.
Structure measurement must be verified against the unit to ensure proper fit.



Dimensions

72 x 42 x 20 In.
(1826 x 1067 x 508 mm)

Water Capacity

78 gallons - 295 liters

Weight

98 lbs - 44 1/2 kg

Bathing Well

66 1/4 In. x 33 1/2 In.

Deep Sump Height

16.5 In. - 419 mm

Deck Width

4.25 In. - 108 mm

Drain location:

Left

Right

Project: _____

Contractor: _____

Representative: _____

Date: _____

Tel: _____

Notes: _____

MAAX