

Exhibit 6636 IFS AFR Acrylic Alcove Bathtub

Model number:

106180-L-097-001

Dimensions: 65.875" x 36" x 20"

Installation: Alcove

Material: Acrylic

Standard Features:

- Rectangular shape bathtub in alcove installation
- Available in Above-the-Floor Rough (AFR) or not
- Minimalist look with discreet armrests and textured floor
- Integrated tiling flange
- When equipped with a system, the unit comes with an access panel

Product characteristics:

- Made in North America
- Integrated Armrest
- Integrated Tiling Flange and Skirt

Systems:

Whirlpool
Combined Whirlpool/Aeroeffect
Aeroeffect



Standard Colors:



White (001)



Bone (004)



Biscuit (007)

Certifications

MAAX products adhere to one or more of the following certifications:



MAAX

Exhibit 6636 IFS AFR Acrylic Alcove Bathtub

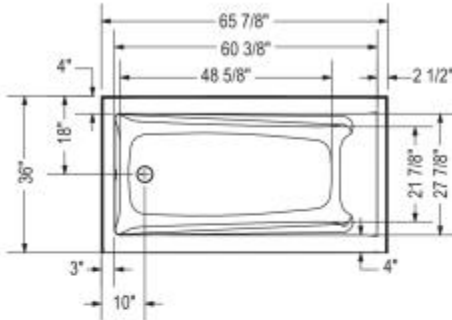
Model number:

106180-L-097-001

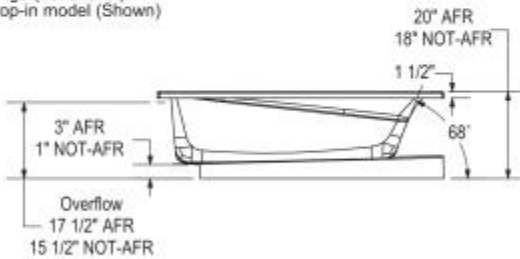
Dimensions: 65.875" x 36" x 20"

Installation: Alcove

Material: Acrylic



1" Single integrated tiling flange (not shown)
Drop-in model (Shown)



Technical drawing is universal for all Exhibit 6636 configurations.

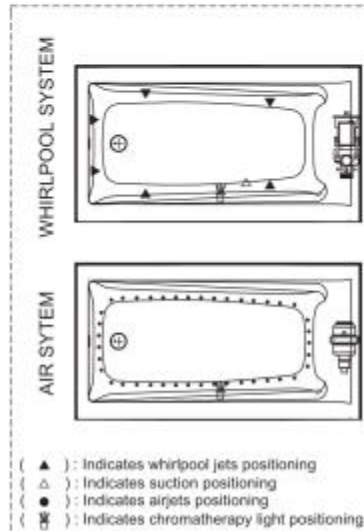
Wood support design may vary.
Single Integrated tiling flange: 1" height x 1/4" thickness (not shown)

All dimensions are approximate.
Structure measurement must be verified against the unit to ensure proper fit.

IFS Without System
Single tiling flange



IFS With System
(access panel)
Single tiling flange



- (▲) : Indicates whirlpool jets positioning
- (□) : Indicates suction positioning
- (●) : Indicates airjets positioning
- (◻) : Indicates chromotherapy light positioning

Dimensions

66 x 36 x 20 In.
(1673 x 914 x 508 mm)

Water Capacity

60 gallons - 227 liters

Weight

88 lbs - 40 kg

Bathing Well

60 1/2 In. x 28 In.

Deep Sump Height

16.5 In. - 419 mm

Deck Width

4 In. - 102 mm

Drain location:

Left

Right

Project: _____

Contractor: _____

Representative: _____

Date: _____

Tel: _____

Notes: _____

MAAX