

Pose 6632 IF Acrylic Alcove Bathtub

Model number:

106204-L-003-001

Dimensions: 65.75" x 31.75" x 23.5"

Installation: Alcove

Material: Acrylic



Standard Features:

- Rectangular shape bathtub; with choices of two deck highs (3/8 or 2 in.) Please specify when ordering 6
- Alcove installation with integrated tiling flange (IF); model also available for drop-in or undermount 10 installation
- Textured floor
- Ample deck space for faucet installation
- Skirt with or without access panel available

Product characteristics:

- Integrated Tiling Flange
- Therapy System Available
- Textured Floor

Systems:

- Whirlpool
- Combined Whirlpool/Aeroeffect
- Aeroeffect

Standard Colors:



White (001)



Bone (004)



Biscuit (007)

Certifications

MAAX products adhere to one or more of the following certifications:



MAAX

Pose 6632 IF Acrylic Alcove Bathtub

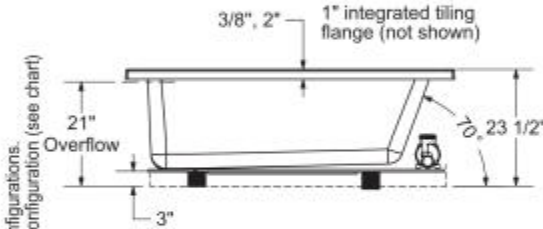
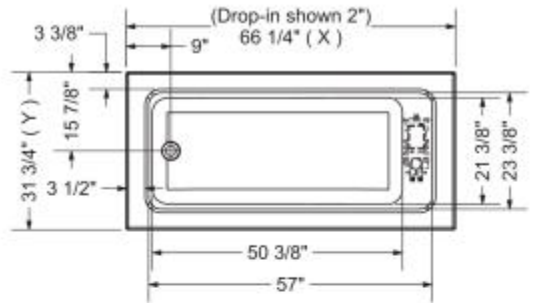
Model number:

106204-L-003-001

Dimensions: 65.75" x 31.75" x 23.5"

Installation: Alcove

Material: Acrylic

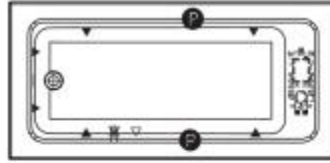


Technical drawing is universal for all 6632 configurations. External dimension (X,Y) vary depending on configuration (see chart)

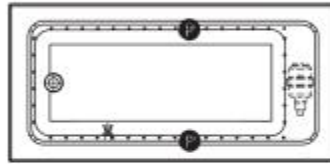
	DROP IN 2"	DROP IN 3/8"	ALCOVE / CORNER
X	66 1/4"	66"	65 3/4"
Y	31 3/4"	31 5/8"	31 5/8"

Wood support design may vary.
 Integrated tiling flange: 1" height X 1/4" thickness (not shown)
 Tiling flange position is determined by chosen configuration.
 All dimensions are approximate.
 Structure measurement must be verified against the unit to ensure proper fit.

WHIRLPOOL SYSTEM

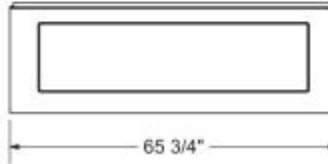


AIR SYSTEM



- : Indicates optional grab bar positioning
- ▲ : Indicates whirlpool jets positioning
- △ : Indicates suction positioning
- : Indicate airjets positioning
- ☒ : Indicates chromatherapy light positioning

APRON (alcove version only)



Dimensions

65 3/4 x 31 3/4 x 23 1/2 In.
 (1670 x 806 x 597 mm)

Water Capacity

72 gallons - 273 liters

Weight

67 lbs - 30 1/2 kg

Bathing Well

57 In. x 23 1/2 In.

Deep Sump Height

19.875 In. - 505 mm

Deck Width

3.375 In. - 86 mm

Drain location:

Left

Right

Project:

Contractor:

Representative:

Date:

Tel:

Notes:

MAAX