

Pose 7242 IF Acrylic Alcove Bathtub

Model number:

106213-R-097-001

Dimensions: 72" x 42" x 23.625"

Installation: Alcove

Material: Acrylic



Standard Features:

- Rectangular shape bathtub; with choices of two deck heights (3/8 or 2 in.) Please specify when ordering 6
- Alcove installation with integrated tiling flange (IF); model also available for drop-in or undermount 10 installation
- Textured floor
- Ample deck space for faucet installation
- Skirt with or without access panel available

Product characteristics:

- Integrated Tiling Flange
- Therapy System Available
- Textured Floor

Systems:

Whirlpool
Combined Whirlpool/Aeroeffect
Aeroeffect

Standard Colors:



White (001)



Bone (004)



Biscuit (007)

Certifications

MAAX products adhere to one or more of the following certifications:



MAAX

Pose 7242 IF Acrylic Alcove Bathtub

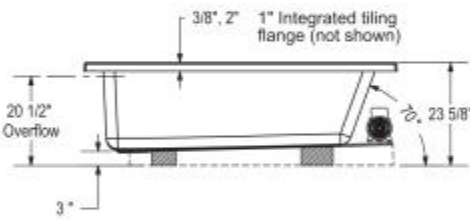
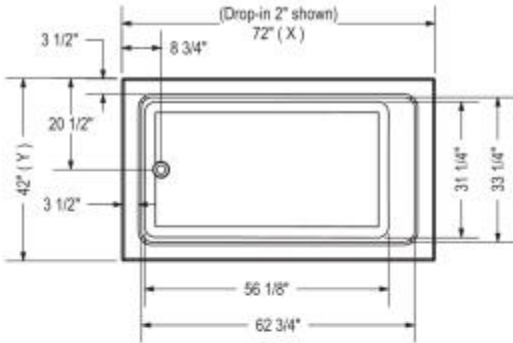
Model number:

106213-R-097-001

Dimensions: 72" x 42" x 23.625"

Installation: Alcove

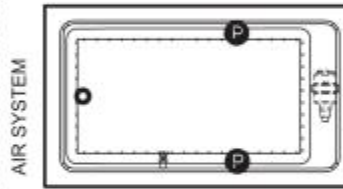
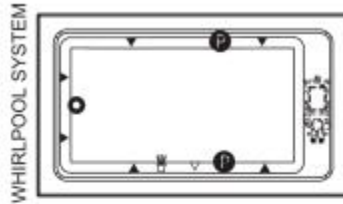
Material: Acrylic



	DROP IN 2"	DROP IN 3/8"	ALCOVE / CORNER
X	72"	71 3/4"	71 1/2"
Y	42"	41 1/2"	41 5/8"

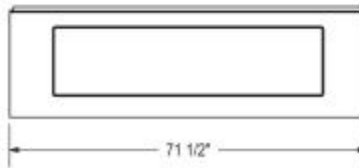
Wood support design may vary.
Integrated tiling flange: 1" height X 1/4" thickness (not shown)
Tiling flange position is determined by chosen configuration.

All dimensions are approximate.
Structure measurement must be verified against the unit to ensure proper fit.



- : Indicates optional grab bar positioning
- { ▲ } : Indicates whirlpool jets positioning
- { △ } : Indicates suction positioning
- : Indicates Aerofeel airjets positioning
- { ✖ } : Indicates chromatherapy light positioning

APRON (alcove version only)



Dimensions

72 x 42 x 23 3/4 In.
(1829 x 1067 x 600 mm)

Water Capacity

116 gallons - 441 liters

Weight

95 lbs - 43 kg

Bathing Well

62 3/4 In. x 33 1/4 In.

Deep Sump Height

20 In. - 508 mm

Deck Width

3.5 In. - 89 mm

Drain location:

Left

Right

Project:

Contractor:

Representative:

Date:

Tel:

Notes:

MAAX