

Pose 60 x 30 Acrylic Corner Left Bathtub

Model number:

106199-R-097-004

Dimensions: 59.625" x 29.875" x 21.625"

Installation: Corner

Material: Acrylic



Standard Features:

- Rectangular shape bathtub with choices of two deck heights (3/8 or 2 in.) Please specify when ordering.
- Integrated flange (IF) for corner installation
- Textured floor
- Ample deck space for faucet installation
- Right or left drain available

Product characteristics:

- Integrated Tiling Flange
- Easy Installation
- Textured Floor

Systems:

- Whirlpool
- Combined Whirlpool/Aeroeffect
- Aeroeffect

Standard Colors:



White (001)



Bone (004)



Biscuit (007)

Certifications

MAAX products adhere to one or more of the following certifications:



MAAX

Pose 60 x 30 Acrylic Corner Left Bathtub

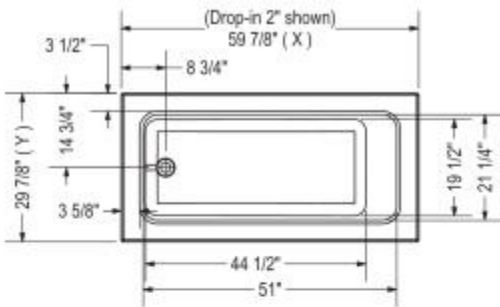
Model number:

106199-R-097-004

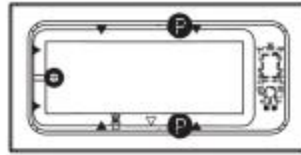
Dimensions: 59.625" x 29.875" x 21.625"

Installation: Corner

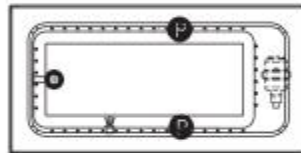
Material: Acrylic



WHIRLPOOL SYSTEM

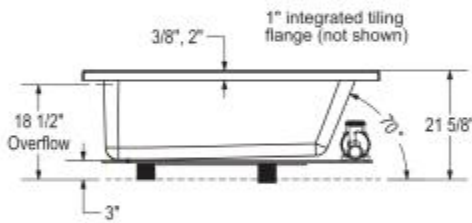


AIR SYSTEM



- : Indicates optional grab bar positioning
- (▲) : Indicates whirlpool jets positioning
- (●) : Indicates Aerofoel airjets positioning
- (▲) : Indicates suction positioning
- (✖) : Indicates chromatherapy light positioning

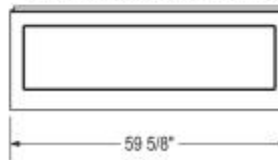
Technical drawing is universal for all 6030 configurations. External dimension (X,Y) vary depending on configuration (see chart)



	DROP IN 2"	DROP IN 3/8"	ALCOVE / CORNER
X	59 7/8"	59 3/4"	59 5/8"
Y	29 7/8"	29 3/4"	29 7/8"

Wood support design may vary.
 Integrated tiling flange: 1" height X 1/4" thickness (not shown)
 Tiling flange position is determined by chosen configuration.
 All dimensions are approximate.
 Structure measurement must be verified against the unit to ensure proper fit.

APRON (alcove version only)



Dimensions

59 3/4 x 30 x 21 3/4 In.
 (1514 x 759 x 549 mm)

Water Capacity

49 gallons - 186 liters

Weight

57 lbs - 25 3/4 kg

Bathing Well

51 In. x 21 1/4 In.

Deep Sump Height

18 In. - 457 mm

Deck Width

3.5 In. - 89 mm

Drain location:

Left

Right

Project:

Contractor:

Representative:

Date:

Tel:

Notes:

MAAX