

Exhibit 6042 IFS AFR Acrylic Alcove Bathtub

Model number:

106176-L-003-007

Dimensions: 59.875" x 42" x 20"

Installation: Alcove

Material: Acrylic

Standard Features:

- Rectangular shape bathtub in alcove installation
- Available in Above-the-Floor Rough (AFR) or not
- Minimalist look with discreet armrests and textured floor
- Deck for faucet installation
- When equipped with a system, the unit comes with an access panel

Product characteristics:

- Made in North America
- Integrated Armrest
- Integrated Tiling Flange and Skirt

Systems:

- Whirlpool
- Combined Whirlpool/Aeroeffect
- Aeroeffect



Standard Colors:



White (001)



Bone (004)



Biscuit (007)

Certifications

MAAX products adhere to one or more of the following certifications:



Recommended products (Visit our website for a complete list of our recommended products)

| No | Description |
|---------------------------------|---|
| <input type="checkbox"/> 136270 | Duel 56-59 x 55 ½ x 59 in. 8 mm Bypass Tub Door for Alcove Installation |
| <input type="checkbox"/> 136692 | Revelation Round 56-59 x 56 ¾-59 ¼ in. 6mm Sliding Tub Door for Alcove Installation |
| <input type="checkbox"/> 135246 | Connect 57-58 ½ x 57 in. 6mm Sliding Tub Door for Alcove Installation |

MAAX

Exhibit 6042 IFS AFR Acrylic Alcove Bathtub

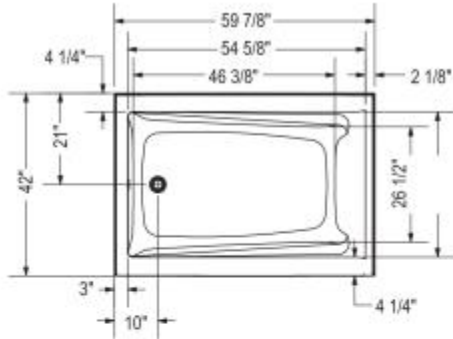
Model number:

106176-L-003-007

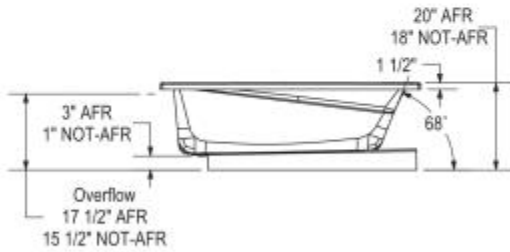
Dimensions: 59.875" x 42" x 20"

Installation: Alcove

Material: Acrylic



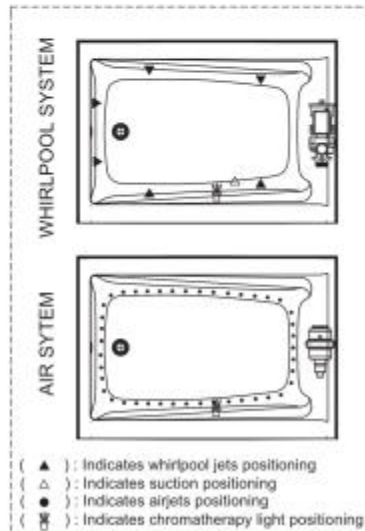
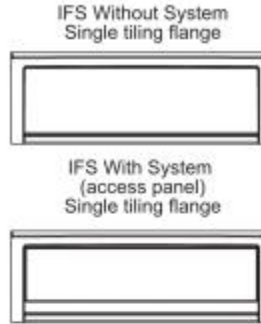
1" Single integrated tiling flange (not shown)
Drop-in model (Shown)



Technical drawing is universal for all Exhibit 6042 configurations.

Wood support design may vary.
Single Integrated tiling flange: 1" height x 1/4" thickness (not shown)

All dimensions are approximate.
Structure measurement must be verified against the unit to ensure proper fit.



Dimensions

60 x 42 x 20 In.
(1521 x 1067 x 508 mm)

Water Capacity

68 gallons - 259 liters

Weight

81 lbs - 36 3/4 kg

Bathing Well

54 3/4 In. x 26 1/2 In.

Deep Sump Height

16.375 In. - 416 mm

Deck Width

4.25 In. - 108 mm

Drain location:

Left

Right

Project: _____

Contractor: _____

Representative: _____

Date: _____

Tel: _____

Notes: _____

MAAX