

# Exhibit 6036 IFS AFR Acrylic Alcove Bathtub

**Model number:**

106173-L-097-007

**Dimensions:** 59.875" x 36" x 20"

**Installation:** Alcove

**Material:** Acrylic

## Standard Features:

- Rectangular shape bathtub in alcove installation
- Available in Above-the-Floor Rough (AFR) or not
- Minimalist look with discreet armrests and textured floor
- Deck for faucet installation
- When equipped with a system, the unit comes with an access panel

## Product characteristics:

- Made in North America
- Integrated Armrest
- Integrated Tiling Flange and Skirt

## Systems:

- Whirlpool
- Combined Whirlpool/Aeroeffect
- Aeroeffect



## Standard Colors:



White (001)



Bone (004)



Biscuit (007)

## Certifications

MAAX products adhere to one or more of the following certifications:



## Recommended products (Visit our website for a complete list of our recommended products)

No	Description
<input type="checkbox"/> 136270	Duel 56-59 x 55 ½ x 59 in. 8 mm Bypass Tub Door for Alcove Installation
<input type="checkbox"/> 138480	Vela 56 ½-59 x 59 in. 8 mm Sliding Tub Door for Alcove Installation
<input type="checkbox"/> 105409	Mika 54 - 59 ½ x 55 in Sliding Tub Door for Alcove Installation

# MAAX

# Exhibit 6036 IFS AFR Acrylic Alcove Bathtub

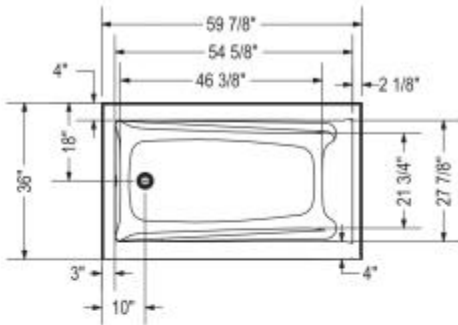
**Model number:**

106173-L-097-007

**Dimensions:** 59.875" x 36" x 20"

**Installation:** Alcove

**Material:** Acrylic



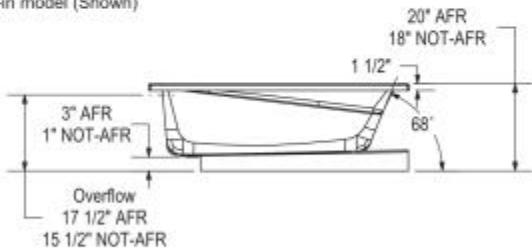
IFS Without System  
Single tiling flange



IFS With System  
(access panel)  
Single tiling flange



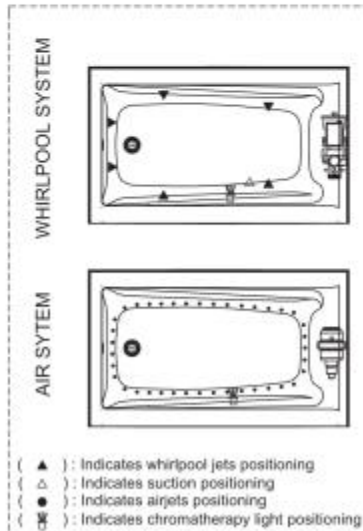
1" Single integrated tiling flange (not shown)  
Drop-in model (Shown)



Technical drawing is universal for all Exhibit 6036 configurations.

Wood support design may vary.  
Single Integrated tiling flange: 1" height x 1/4" thickness (not shown)

All dimensions are approximate.  
Structure measurement must be verified against the unit to ensure proper fit.



## Dimensions

60 x 36 x 20 In.  
(1521 x 914 x 508 mm)

## Water Capacity

56 gallons - 214 liters

## Weight

80 lbs - 36 1/4 kg

## Bathing Well

54 3/4 In. x 28 In.

## Deep Sump Height

16.375 In. - 416 mm

## Deck Width

4 In. - 102 mm

## Drain location:

Left

Right

Project:

Contractor:

Representative:

Date:

Tel:

Notes:

# MAAX