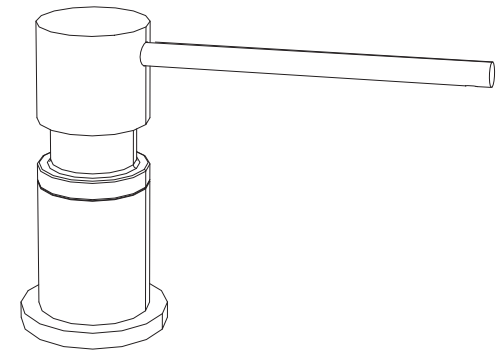


BLANCO

BLANCO LATO SOAP DISPENSER

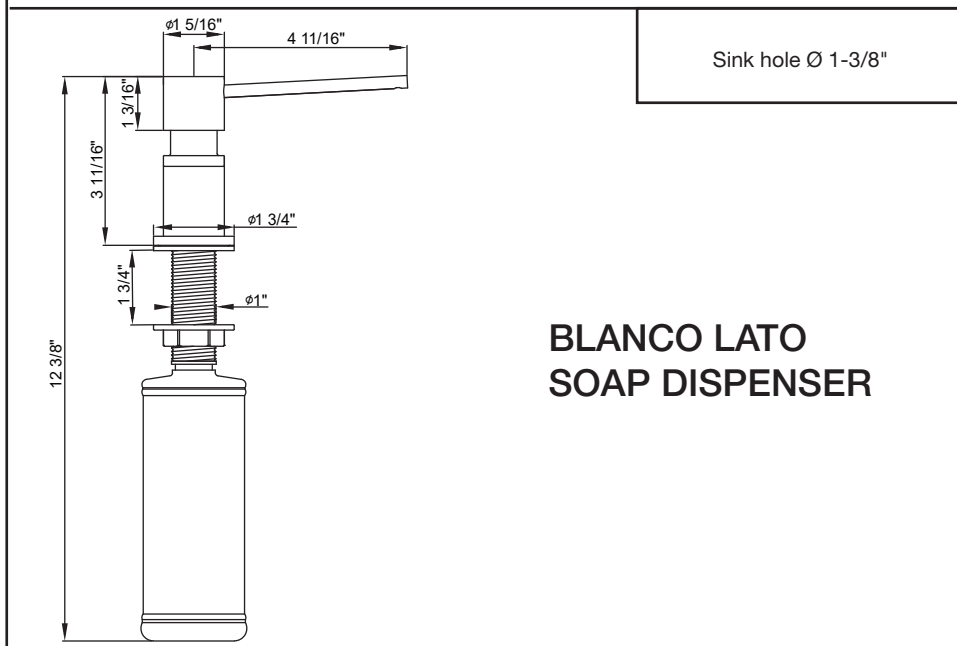
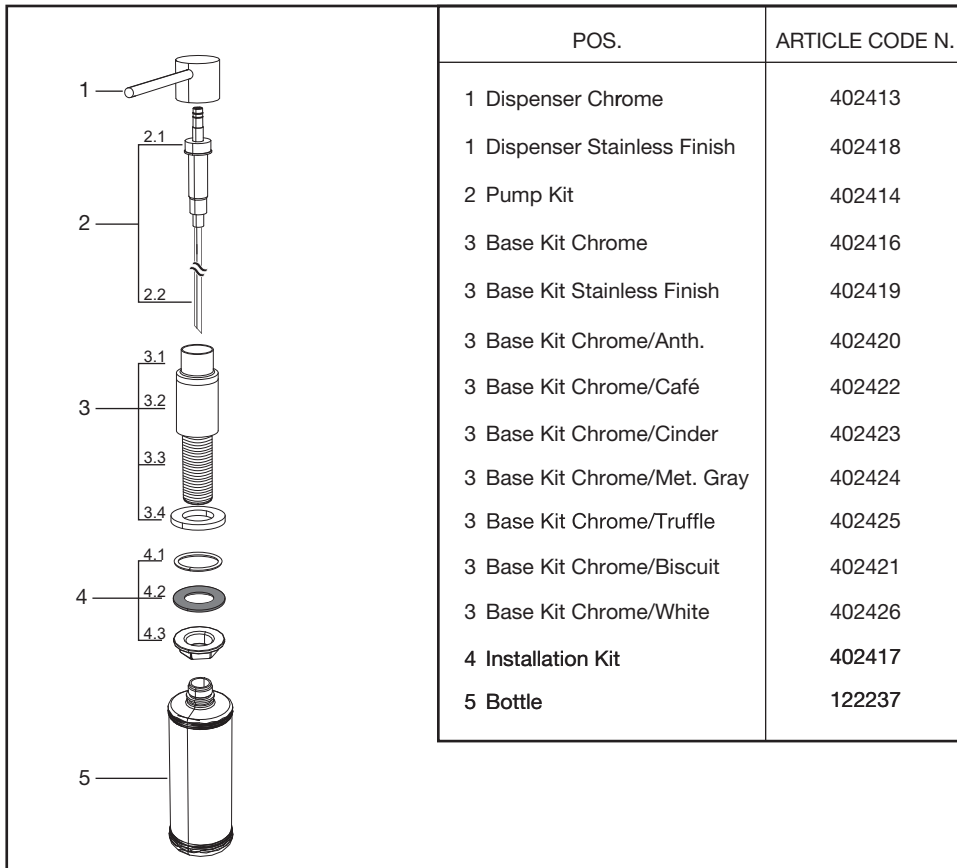
TECHNICAL PRODUCT INFORMATION

MODELS 402298 - 402299 - 402300
402302 - 402303 - 402304
402305 - 402306 - 402307



BLANCO

BLANCO America, Inc.
110 Mount Holly Bypass
Lumberton, New Jersey 08048
Tel: 800-451-5782
Fax: 800-213-1963
www.blancoamerica.com



ASSEMBLY

1. Separate dispenser (1) from base (3) by grasping dispenser (1) and base (3) and pulling in opposing directions.
2. Insert the flat side of straw (2.2) in pump (2.1), and reassemble by inserting dispenser (1) and pump kit (2) in base (3).
3. Insert base (3) in the Ø 1-3/8" Sink hole making sure to place o-ring (4.1) between base (3) and the supporting surface.
4. Secure base (3) by placing gasket (4.2), then nut (4.3), on threaded stem (3.3) from beneath the supporting surface. Hand tighten nut (4.3) by turning clockwise. Complete the installation by tightening nut (4.3) up to 1/16th turn, using a wrench.
5. Hand tighten bottle (5) to threaded stem (3.3) from beneath the supporting surface by rotating bottle (5), clockwise.

FILLING

1. Remove the dispenser and pump by grasping the dispenser (1) and pulling upward away from base (3) from above the supporting surface. Fill bottle (5) by pouring soap directly into the opening of base (3.1). Maximum bottle capacity = 300 ml (10.1 us fl oz).
2. Once bottle (5) is filled, insert dispenser (1) and pump kit (2) in base (3). Prime the soap dispenser by depressing dispenser (1) 3 times until soap is dispensed.

REPLACEMENT OF THE PUMP

1. Remove the dispenser (1) and pump (2) by grasping the dispenser (1) and pulling upward away from base (3).
2. Remove the pump (2) from the dispenser (1) by grasping the dispenser (1) and pump kit (2) and pulling apart.
3. Reassemble by inserting replacement pump kit (2) in dispenser (1) and inserting in base (3).

CLEANING

Use only liquid cleaners or soapy water. Anti-lime or acidic cleaners such as scouring agents or abrasive sponges are to be avoided. Polish with a soft cloth.

WARRANTY

Limited 1 year warranty from original date of purchase. All claims must be accompanied by original sales receipt.