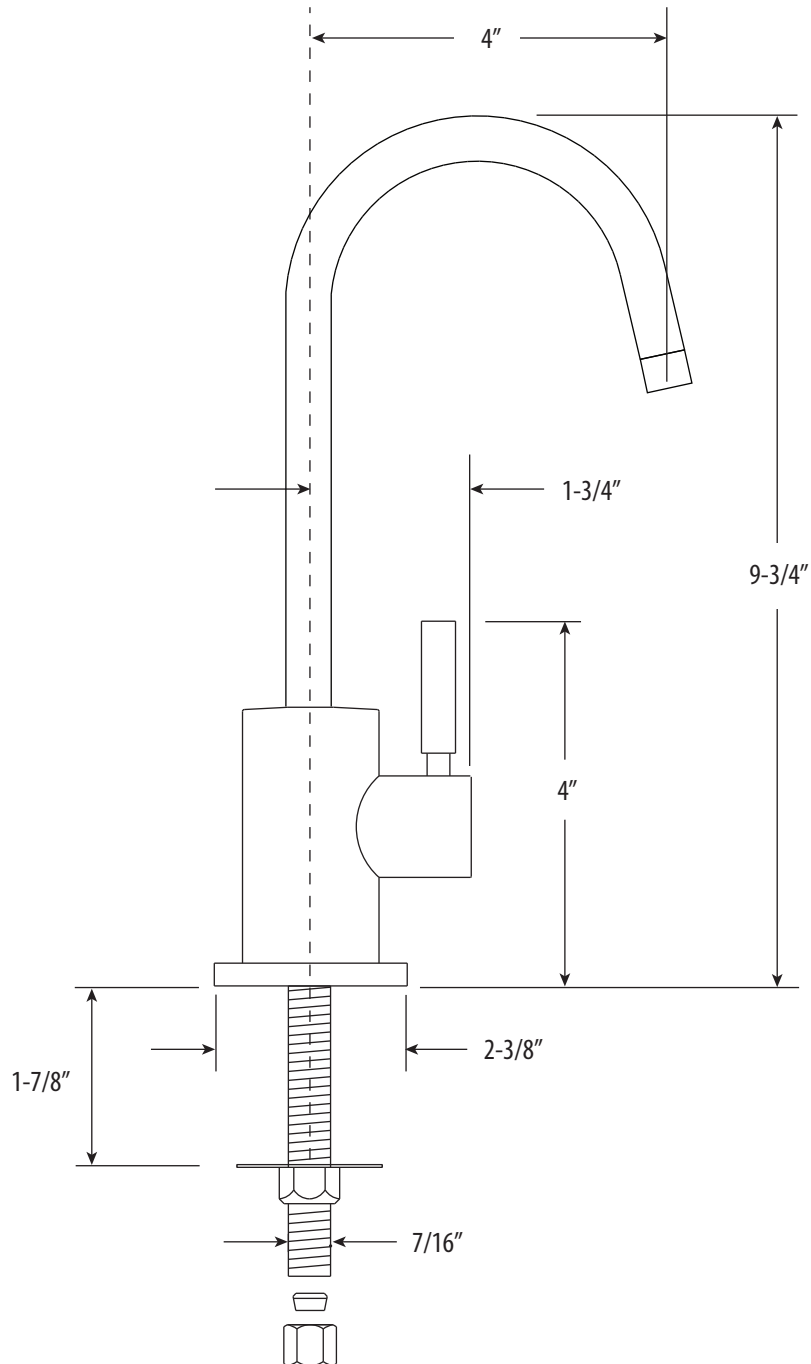


PARCHE COLD ONLY FILTRATION FAUCET

1400C

- Max Counter Thickness 1-7/8"
- Install Hole Size Adaptable Up to 1-3/8"



 **ECO BRASS**
HIGH PERFORMANCE LEAD FREE BRASS

DIMENSIONS MAY VARY AND ARE SUBJECT TO CHANGE. NO RESPONSIBILITY IS ASSUMED FOR USE OF SUPERCEDED OR VOIDED DATA

PARCHE COLD ONLY FILTRATION FAUCET

1400C



Finish Shown - Stainless Steel

FEATURES

- Cold filtered water on demand.
- For use with Waterstone Filtration System.
- Part of the contemporary Parche Suite.
- C-spout has 4" reach and can swivel 360 degrees.
- 1.1 gpm maximum flow rate.
- Ergonomic single lever handle.
- Resistant to reverse osmosis water.
- Made from solid brass or 316 stainless steel.
- 1/4 turn ceramic disk valve cartridge.
- 1/4" compression connection.
- Lifetime functional warranty.
- Made in the USA.

CODES/STANDARDS APPLICABLE

Specified model meets or exceeds the following:

- **ASME A112.18.1**
- **CSA B125.1**
- **NSF 61, 372**
- **CALGreen**
- **ADA compliant**



AVAILABLE IN 32 FINISHES + SOLID 316 MARINE GRADE STAINLESS STEEL