

BRIZO®

INTEGRATED SHOWER DIVERTER TRIM

- Rook™ Valve Trim with Three Function Diverter (T75561)
- Rook™ Valve Trim with Six Function Diverter (T75661)
- Three Lever Handles

FEATURES:

- TempAssure® Thermostatic valve trim
- Three or six function diverter trim

STANDARD SPECIFICATIONS:

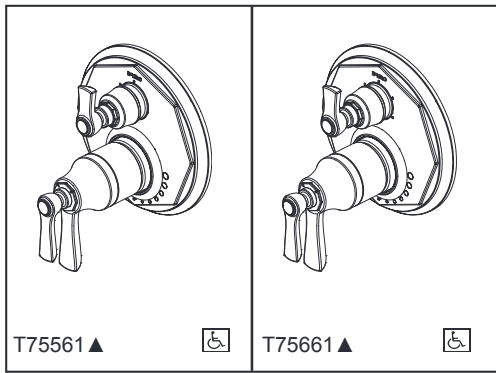
- Main control utilizes Thermostatic Valve cartridge
- Thermostatic wax element maintains the outlet temperature to $\pm 3.6^{\circ}\text{F}$
- For use with MultiChoice® Universal integrated shower diverter rough valve body (R75000 Series)
- Back-to-back installation capability
- Top handle controls diverter functions
- Bottom (2) handles control volume and temperature
- Field adjustable to limit bottom handle rotation into hot water zone
- Bottom handle 90° Maximum rotation
- Graphics indicate hot/ cold temperature adjustment
- Three function diverter for 2 individual positions, 1 shared position
- For two individual functions, no shared functions, order additional RP72123
- Six function diverter for 3 individual positions, 3 shared positions
- For three individual functions, no shared functions, order additional RP72124
- 1/2" rough-in
- Cartridges included
- Standard installation allows up to 1-1/8" finished wall thickness
- Thick wall installation kit (RP90545▲) can be ordered to allow for up to 2-1/8" finished wall thickness
- Not recommended for tub spout applications

WARRANTY

- Lifetime limited warranty on parts (other than electronic parts and batteries) and finishes; or, for commercial users, for 5 years from date of purchase.
- 5 year limited warranty on electronic parts (other than batteries); or, for commercial users, for 1 year from the date of purchase. No warranty is provided on batteries.

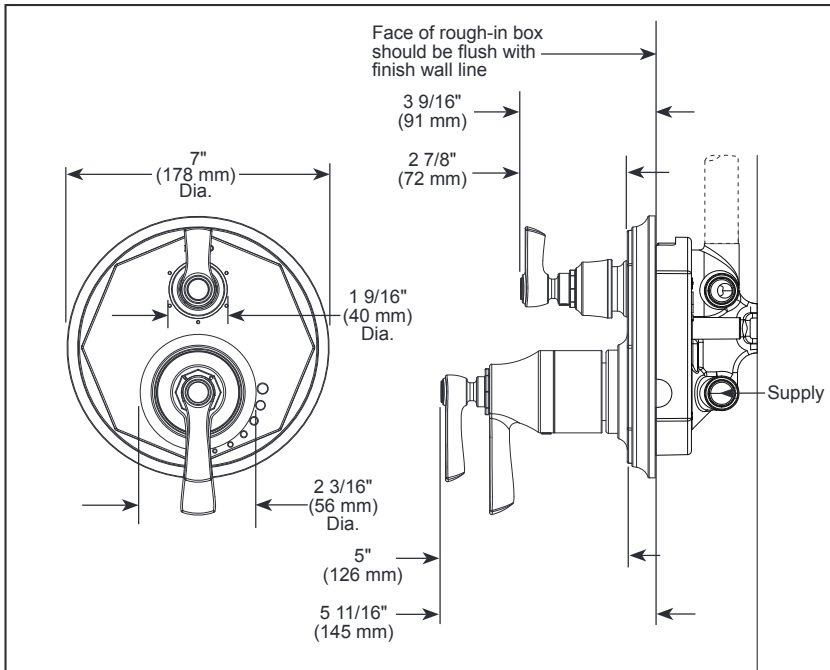
COMPLIES WITH:

- ASME A112.18.1 / CSA B125.1
- ☒ Indicates compliance to ICC/ANSI A117.1

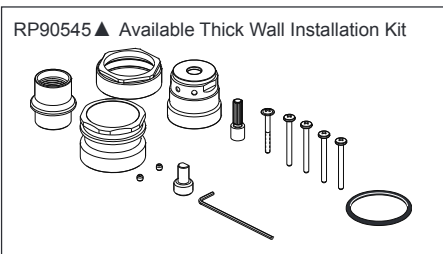


Submitted Model No.: _____

Specific Features: _____



▲ Designate Proper Finish Suffix



Maximum Flow Rate Guide

Rough	Cartridge	Outlet	40 psi	60 psi	80 psi
R75000	TempAssure® Thermostatic	Shower	5.9 gpm	7.2 gpm	8.3 gpm
R75000-WS	TempAssure® Thermostatic	Shower	5.3 gpm	6.5 gpm	7.4 gpm

Based on 6 Setting Diverter