

GR Freestanding Tub Filler

FEATURES

- Lever handle
- Brass construction
- For use with freestanding tub filler base rough-in (TBN01105U)
- Includes 1.75 gpm handshower
- Meets 2018 California Water Efficiency appliance and leakage regulations by CEC

COLORS/FINISHES

- #CP Polished Chrome
- #BN Brushed Nickel

Made to Order

- #PFG Polished French Gold
- #PBR Polished Bronze
- #PN Polished Nickel

PRODUCT SPECIFICATION

Tub filler trim shall have a brass construction. Product shall have lever handles. Product shall include handshower and shower hose. Product requires TBN01105U rough-in, sold separately. Product shall be TOTO Model TBG02306U#_____.

CODES/STANDARDS

- Meets or exceeds ASME A112.18.1/CSA B125.1
- Certifications: IAPMO(cUPC), EPA WaterSense, State of Massachusetts and others
- Code Compliance: UPC, IPC, NSPC, NPC Canada, and others
- California Green Building Code, City of Los Angeles Water Efficiency Ordinance



TBG02306U

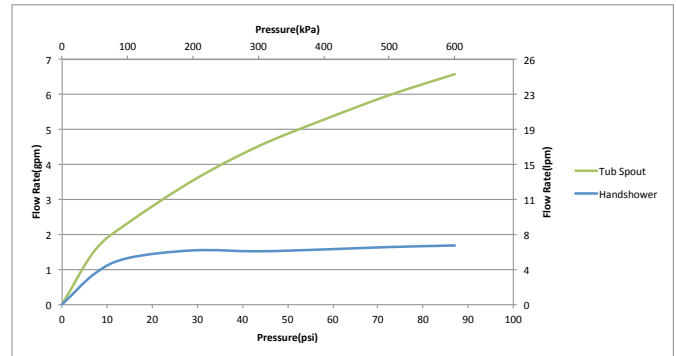
GR Freestanding Tub Filler

SPECIFICATIONS

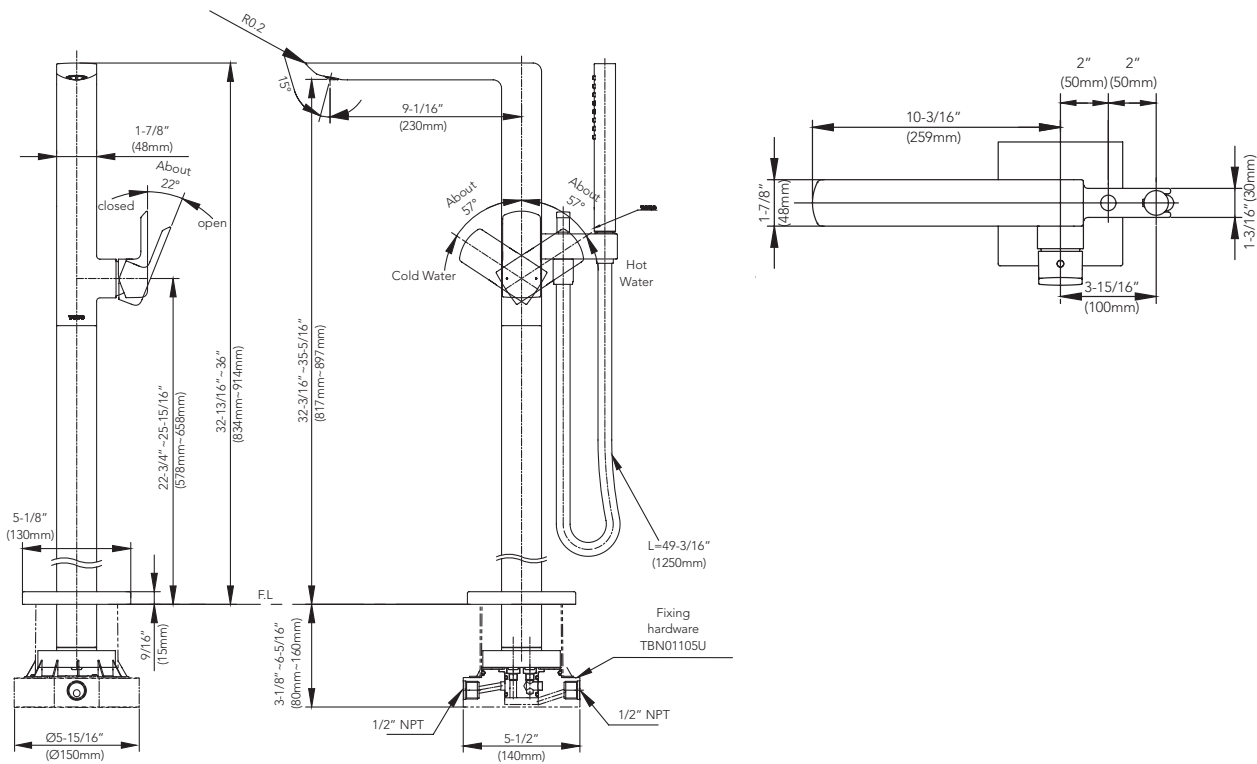
Material	Brass
Maximum Shower Flow Rate	1.75 gpm (6.6 lpm)
Warranty	Lifetime Limited Warranty (Residential Use) One Year (Commercial Use)
Shipping Dimensions	43-1/4" x 18-1/2" x 10"
Shipping Weight	28.67 lbs

INSTALLATION NOTES

- Check local codes for requirements on installing an ASSE 1070/ASME A112.1070/CSA B125.70 compliant device in series with the tub filler
- Freestanding tub filler base rough-in TBN01105U sold separately



DIMENSIONS



TOTO®

These dimensions and specifications are subject to change without notice

Ph: (888) 295-8134 | Fax: (800) 699-4889 | www.totousa.com | © TOTO USA

SS-01279 v.02