

TF-57 30" x 60" Veritek Tub Wall Kit

Model number:

TF57000

Dimensions: 30" x 60" x 57" **Installation:** Glue up

Material: Veritek

Standard Features:

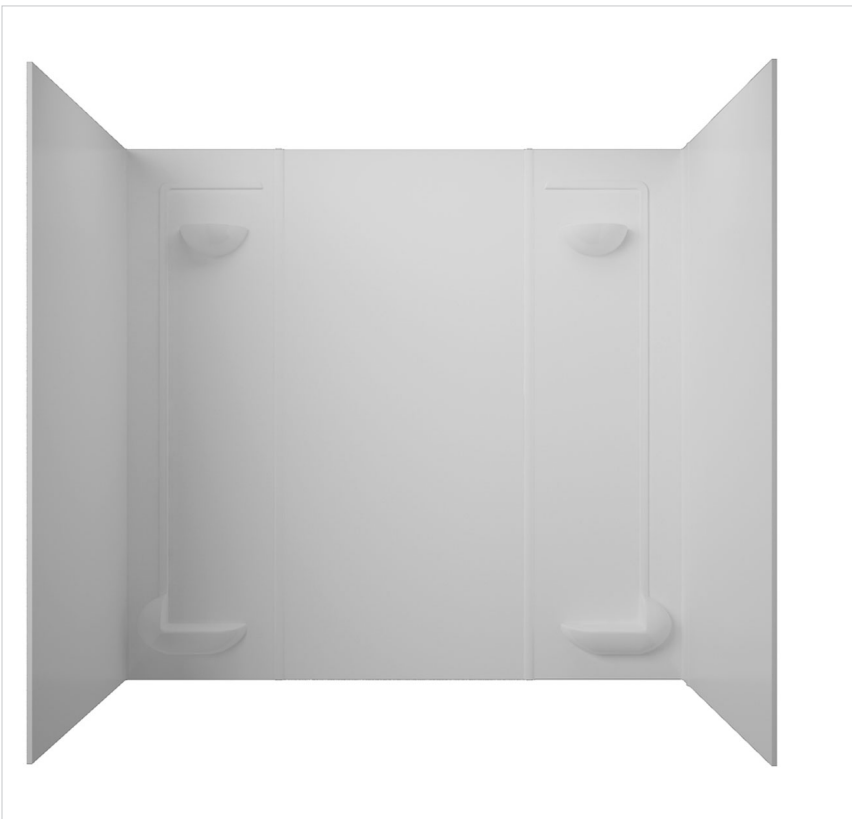
- Fits 28 -30 D x 58 -60 W tub area, 57 high,
- Softly textured wall system made of Veritek™ to resist scratches and chips.
- Affordable wall kit has many upgrade features at a value price.
- Will not mold or mildew.
- Ideal for both remodeling projects and new construction.

Product characteristics:

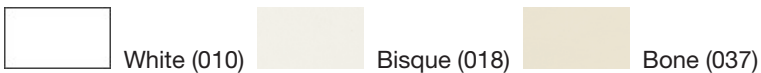
- DIY Product
- Designed for tub replacement
- Easily Trim to Fit

Warranty:

Lifetime limited



Standard colors:



Certifications

Swan products adhere to one or more of the following certifications:



TF-57 30" x 60" Veritek Tub Wall Kit

Model number:

TF57000

Dimensions: 30" x 60" x 57"

Installation: Glue up

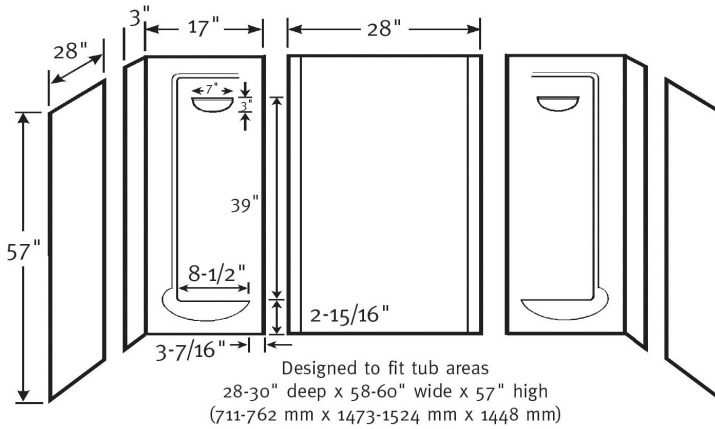
Material: Veritek

Dimensions:

30 x 60 x 57 in.

Weight:

58 lbs



Project:

Contractor:

Representative:

Date:

Tel:

Notes: