

## LB Wall-Mount Faucet – Long

### FEATURES

- WaterSense® certified low-flow 1.2 gpm faucet
- Brass construction
- Lever handle
- Drain assembly not included

### COLORS/FINISHES

- #CP Polished Chrome

### PRODUCT SPECIFICATION

Product shall have a maximum flow rate of 1.2 gpm (4.5 lpm). Product shall have a brass construction. Product shall have lever handles. Product shall have a ceramic disk valve cartridges. Product shall include metal pop-up drain assembly. Product shall be TOTO Model TLS01310U#\_\_\_\_\_.



### CODES/STANDARDS

- Meets or exceeds ASME A112.18.1/CSA B125.1, NSF 61-9, NSF 372
- Certifications: IAPMO(cUPC), EPA WaterSense, State of Massachusetts and others
- Code Compliance: UPC, IPC, NSPC, CEC, DoE, NPC Canada, and others
- California Green Building Code, City of Los Angeles Water Efficiency Ordinance
- Complies with federal and state requirements as lead-free (weighted average of 0.25% lead or less)
- ADA compliant
- Complies with CA Prop 65 warning requirements

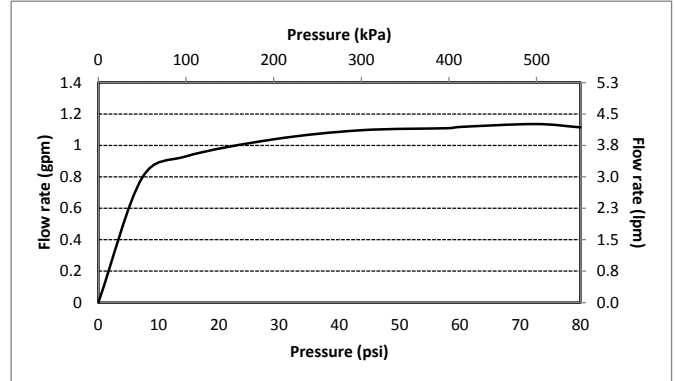


# TLS01310U

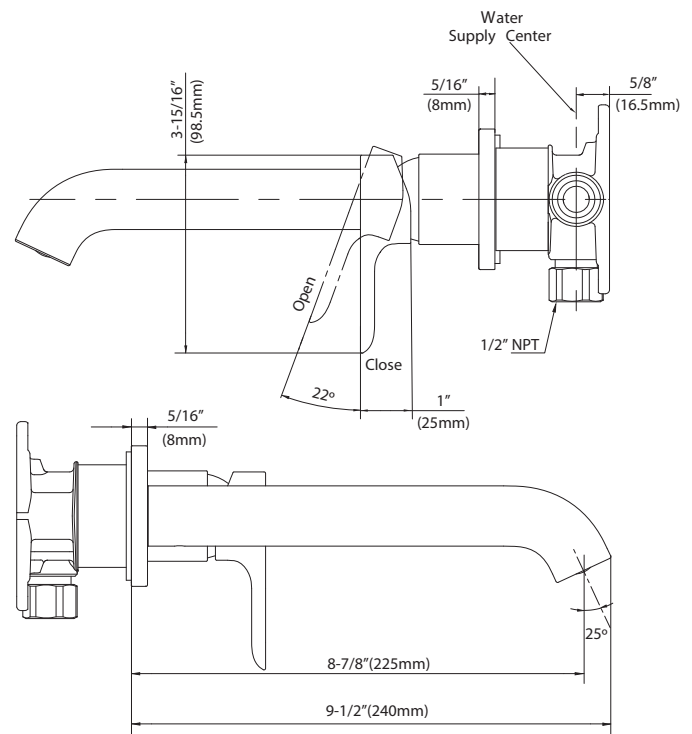
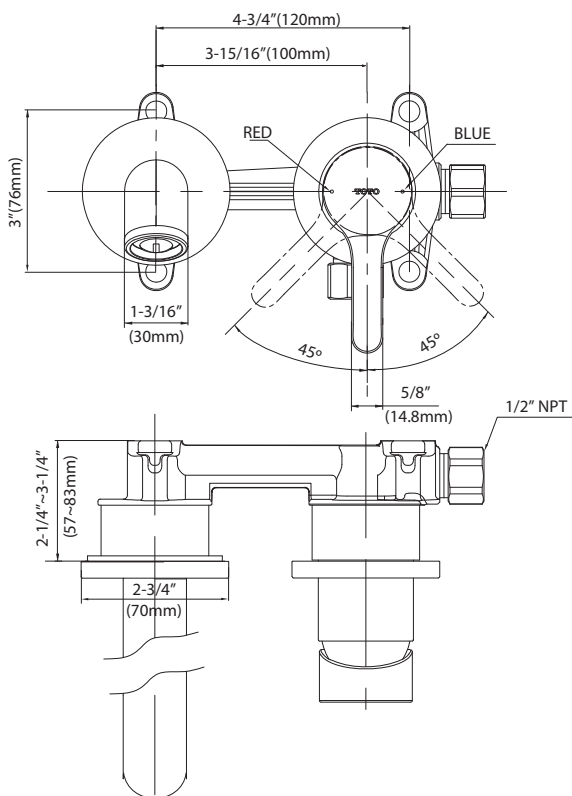
## LB Wall-Mount Faucet – Long

### SPECIFICATIONS

|                          |  |
|--------------------------|--|
| <b>Material</b>          | Brass  |
| <b>Maximum Flow Rate</b> | 1.2 gpm (4.5 lpm)  |
| <b>Warranty</b>          | Lifetime Limited Warranty (Residential Use)<br>One Year (Commercial Use) |



### DIMENSIONS



**TOTO**

*These dimensions and specifications are subject to change without notice*