

TECHNICAL SPECIFICATIONS

TOF-3260

MODEL NUMBER 142014

DIMENSIONS: 59 3/4" x 32" x 19 1/8" Gelcoat



STANDARD FEATURES

- 3 inch Wrap around backsplash
- Tile adaptor required for door installation
- Integrated apron and tiling flange
- 3 3/8 inch Above-the-Floor Rough available
- Textured floor
- Right or left drain
- Alcove installation
- 14 3/8 inch Deep sump
- Bottom bathing well : 44 1/8 inch L x 21 5/8 inch W

UNIQUE FEATURES

- Tiling Flange

OPTIONS

- Pump position opposite standard position
- In-line heater (factory-installed)
- Tile Adaptor (for door installation)

SYSTEMS

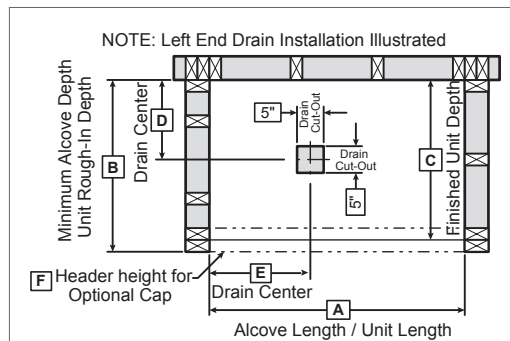
Homestead **DOOR**

SELECTION

Combine with AKER's complete shower door offering visit www.akerbymax.com

CERTIFICATIONS

AKER products adhere to one or more of the following certifications:



Model	A	B	C	D	E
142014	60"	33"	32"	14 3/4"	8 1/4"

Project :

Contractor :

AKER Representative : Tel :

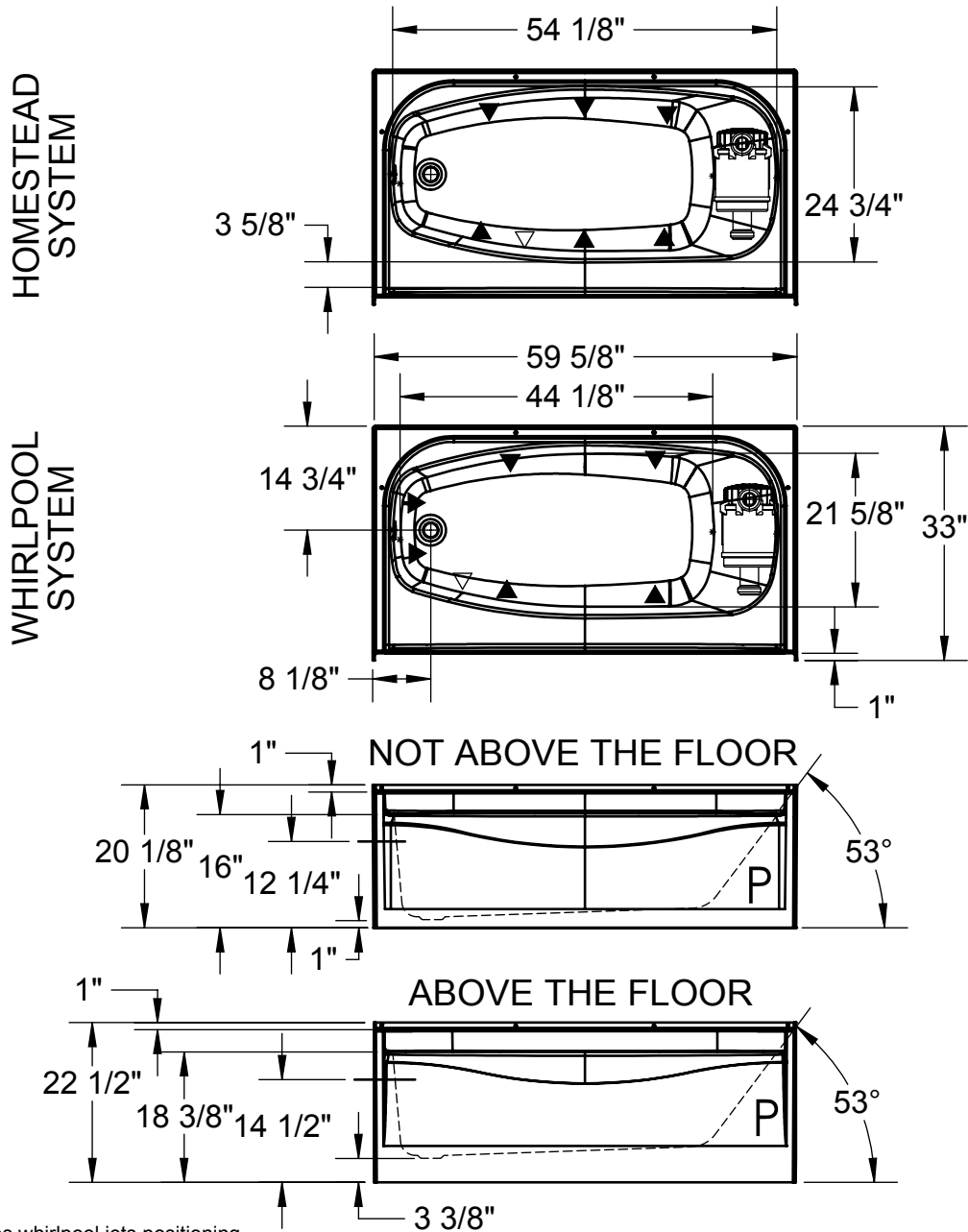
Date :

TECHNICAL SPECIFICATIONS

TOF-3260

MODEL NUMBER 142014

TECHNICAL DRAWINGS



(▲): Indicates whirlpool jets positioning

(△): Indicates suction positioning

All dimensions are approximate. Structure measurements must be verified against the unit to ensure proper fit.