

**INSTALLATION INSTRUCTIONS**

**IMPORTANT WARNING!!**



PLEASE ENSURE THAT THE RECOMMENDED HEATER TANK UNIT (U.1998) AND FILTER KIT (U.1106) IS USED.

TO AVOID PRESSURISED BOILING WATER AND TO COMPLY WITH US REGULATIONS THIS IS AN OPEN VENTED PRODUCT.

DO NOT PLUG IN THE UNIT UNTIL ALL WATER CONNECTIONS HAVE BEEN MADE AND THE TANK HAS FILLED COMPLETELY THEN FLUSHED TO REMOVE AIR.

**\*IMPORTANT!! ENSURE A PRESSURE REDUCING VALVE (PRV) IS USED IN-LINE WITH COLD INLET AND IDEALLY SET TO 43.5PSI (3BAR). FAILURE TO DO SO MAY RESULT IN REDUCED PRODUCT PERFORMANCE.\***

INSTANT HOT WATER TEMPERATURES CAN REACH 210°F. THE FAUCET IS DESIGNED WITH FEATURES TO MINIMISE RISK AND POTENTIAL INJURY; TWO ACTION OPERATION, SPRING BACK VALVE AND DELAYED DELIVERY; BUT SHOULD BE OPERATED OR SUPERVISED BY A RESPONSIBLE ADULT.

PLEASE READ AND FULLY UNDERSTAND THE HEATER TANK INSTRUCTIONS BEFORE USE.

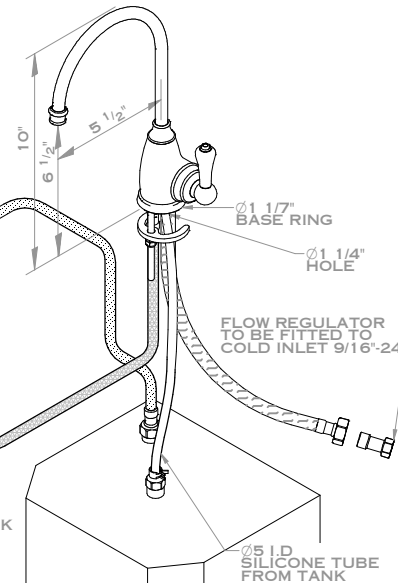
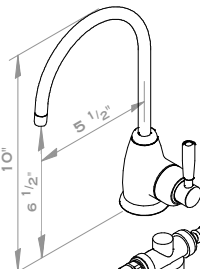
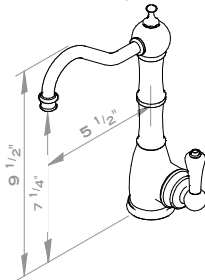
**MINI INSTANT HOT DISPENSERS**

REGISTRATION - PLEASE VISIT  
[WWW.ROHLHOME.COM/FILTRATION-REGISTRATION.ASPX](http://WWW.ROHLHOME.COM/FILTRATION-REGISTRATION.ASPX),  
COMPLETE THE REGISTRATION CARD (POSTAGE PAID) OR  
PHONE 1-800-777-9762 TO REGISTER YOUR PRODUCT.

U.1323: AQUITAINE

U.1347: MIMAS

U.1307: PARTHIAN



NOTE: DIAGRAM SHOWS FAUCET SET UP WITH U.1998 (HEATER TANK) AND U.1106 (FILTER).

MAX TEMP:  
FOR MAINS: 185°F

RECOMMENDED  
WORKING PRESSURES:  
MIN 22PSI  
MAX 72PSI

**\*IMPORTANT!! ENSURE A PRESSURE REDUCING VALVE (PRV) IS USED IN-LINE WITH COLD INLET AND IDEALLY SET TO 43.5PSI (3BAR). FAILURE TO DO SO MAY RESULT IN REDUCED PRODUCT PERFORMANCE.\*\***

## INSTALLATION INSTRUCTIONS

### THE MINI HOT DISPENSERS COLLECTION INSTALLATION & USER GUIDE

*CONGRATULATIONS ON THE PURCHASE OF YOUR PERRIN AND ROWE KITCHEN PRODUCT. CORRECTLY INSTALLED AND WITH SENSIBLE CARE, THIS PRODUCT WILL GIVE YOU MANY YEARS OF TROUBLE FREE SERVICE.*

#### IMPORTANT INFORMATION

BEFORE YOU PROCEED... WE RECOMMEND YOU ENGAGE THE SERVICES OF A REGISTERED PLUMBER TO INSTALL THIS PRODUCT.

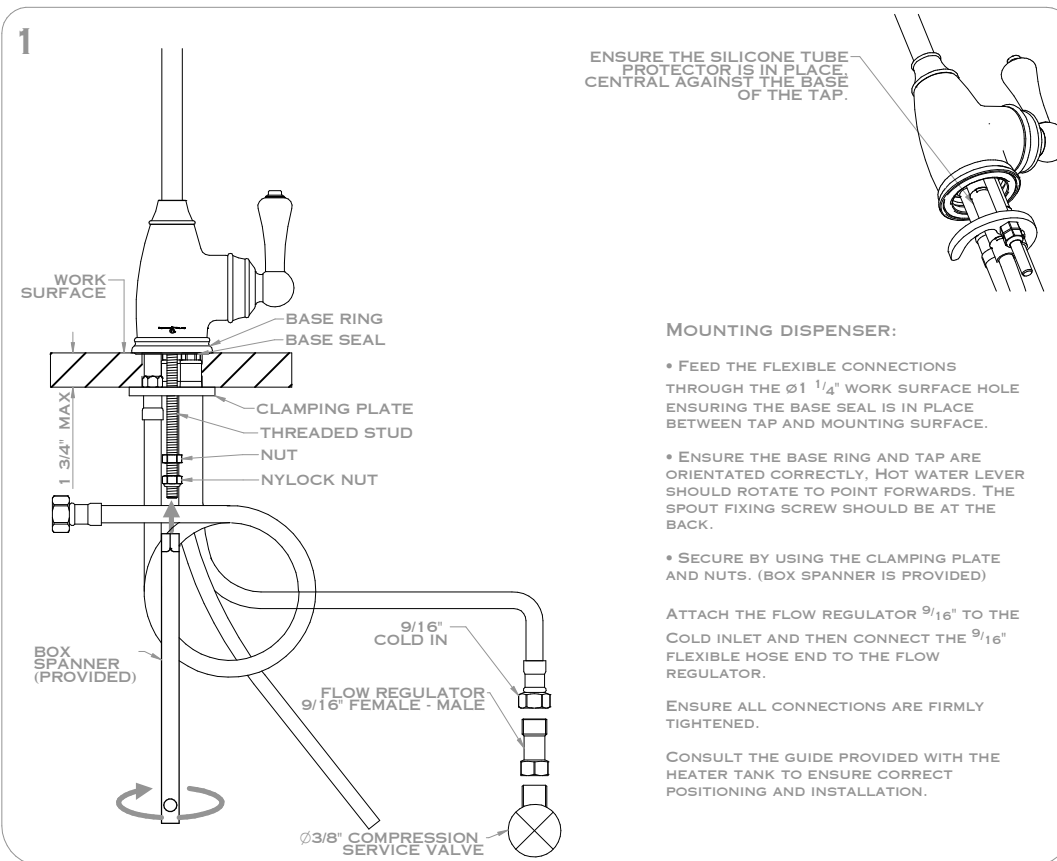
PERRIN & ROWE TAPS REQUIRE A MAXIMUM INLET PRESSURE SUPPLY OF 75PSI. FOR INSTALLATIONS WHERE THE INLET WATER SUPPLY PRESSURE IS EVER ABOVE 75PSI, PRESSURE-LIMITING VALVES MUST BE INSTALLED PRIOR TO THIS TAP.

IT IS ESSENTIAL THAT THE INFORMATION CONTAINED HEREIN IS CAREFULLY READ AND UNDERSTOOD PRIOR TO INSTALLING AND OPERATING THIS TAP.

#### PREPARATION FOR THE INSTALLATION.

FLUSH THE PIPEWORK BEFORE INSTALLING THIS TAPWARE.

ONCE UNPACKED, REMOVE NUTS AND CLAMPING PLATE READY FOR INSTALLATION



**INSTALLATION INSTRUCTIONS**



**2**

CONNECTIONS TO THE FILTER (U.1106) AND HEATER TANK U.1998: (SEE SEPARATE FILTER GUIDE AND HEATER TANK INSTALLATION FOR FURTHER INSTALLATION INSTRUCTIONS)

- MOUNT THE FILTER HOUSING IN AN ACCESSIBLE LOCATION USING EITHER SCREWS IN THE BRACKET OR THE ADHESIVE PAD, ENSURING THE MOUNTING AREA IS CLEAN BY USING THE WIPE PROVIDED.
- ONCE THE MAINS CONNECTIONS ARE MADE FIT THE G3/8" BRAIDED HOSE TO THE FILTER AS SHOWN.
- CONNECT THE SILICONE TUBE TO THE BARBED CONNECTION ON THE TOP OF THE HEATER TANK AS SHOWN. (SEE NOTE 3 BELOW)

**IMPORTANT:** DURING INSTALLATION THE TANK SHOULD REMAIN UNPLUGGED. THE TANK MUST BE FILLED WITH WATER BEFORE POWER IS CONNECTED. A 'DRY START' WILL VOID THE WARRANTY.

AVOID KINKING TUBES DURING INSTALLATION AS THE RESULTING RESTRICTIONS COULD REDUCE FLOW AND CAUSE MALFUNCTIONING OF THE EXPANSION CHAMBER. DO NOT USE PIPE SEALING COMPOUNDS ON ANY CONNECTIONS. THESE CAN FOUL THE INTERNAL MECHANICS AND MAY CAUSE OBJECTIONABLE TASTE AND ODOR. PLUMBING CONNECTIONS MUST COMPLY WITH ALL SANITARY, SAFETY AND PLUMBING CODES.

Labels in diagram: 9/16" FLEXI-HOSE, FLOW REGULATOR, Ø3/8" COMPRESSION SERVICE VALVE, SILICONE TUBE RETAINER CLIP.

**3 SILICONE HOSE**

TRIM THE SILICONE HOSE TO THE RIGHT LENGTH FOR THE INSTALLATION. IT MUST NOT BE PULLED TAUGHT, TOO SLACK LEADING TO A 'U' BEND OR TWISTED. PLEASE MAKE SURE THE TUBE ISN'T PINCHED BETWEEN THE THREADED STUD AND THE BRAIDED HOSE AS THIS MAY CAUSE FLOW RESTRICTION. IF THE SILICONE IS NOT INSTALLED CORRECTLY IT MAY AFFECT THE PERFORMANCE OF THE SYSTEM.

**4 OPERATION**

FOR INSTANT HOT WATER, PRESS DOWN ON THE LEVER/BUTTON AND ROTATE HANDLE FORWARD.

ONCE FINISHED, RELEASE THE HANDLE AND THE VALVE WILL AUTOMATICALLY CLOSE.

## INSTALLATION INSTRUCTIONS

### BEFORE USE

- CAREFULLY CHECK THE INSTALLATION FOR LEAKS.
- IF FURTHER BUILDING WORK IS TO BE CARRIED OUT IN THE VICINITY, COVER THE MIXER TAP TO AVOID DAMAGING THE FINISH.
- PLEASE ENSURE THAT THE INSTALLATION COMPLIES WITH THE LOCAL PLUMBING CODES.

### ROHL WARRANTY POLICY

ALL PRODUCTS SUPPLIED BY ROHL CARRY WARRANTIES AGAINST MANUFACTURING DEFECTS.

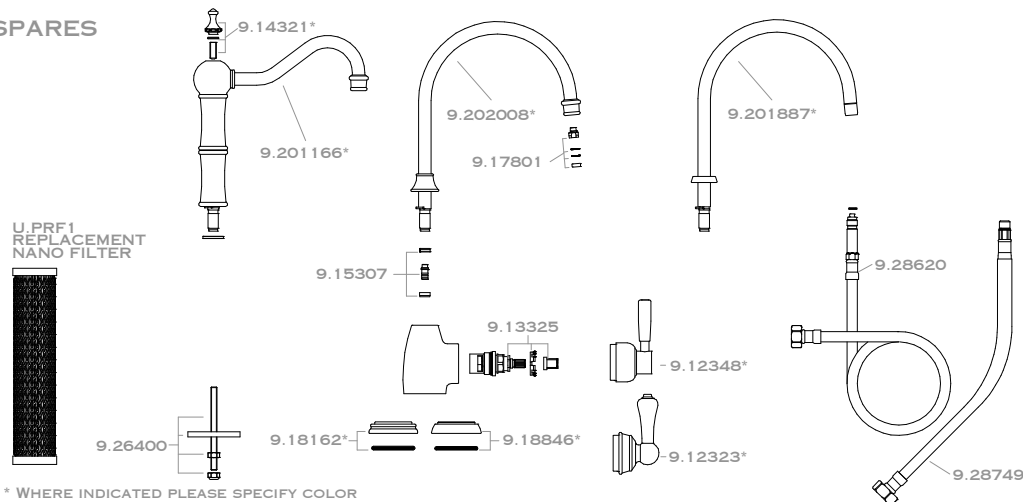
FOR FULL ROHL WARRANTY PLEASE CONTACT ROHL OR VISIT [WWW.ROHLHOME.COM](http://WWW.ROHLHOME.COM)

PLEASE CONTACT THE LOCAL ROHL RETAILER OR SHOWROOM WHERE YOU PURCHASED THIS PRODUCT FOR ALL WARRANTY RELATED CLAIMS.

### CARE & MAINTENANCE

- OCCASIONAL CLEANING WITH WARM SOAPY WATER, FOLLOWED BY A POLISH WITH A SOFT CLOTH IS ALL THAT IS REQUIRED TO KEEP THE PLATED FINISH IN GOOD CONDITION.
- IF YOU WISH TO OCCASIONALLY POLISH YOUR FAUCET AND IT HAS A CHROME, NICKEL OR PEWTER FINISH, WE RECOMMEND A GENTLE METAL CLEANER OR METAL POLISH, WHICH IS AVAILABLE FROM HARDWARE AND AUTOMOTIVE PARTS STORES.
- DO NOT USE ANY CLEANERS ON GOLD OR ENGLISH BRONZE FAUCETS.
- DO NOT USE PROPRIETARY ABRASIVE LIQUIDS, POWDERS, OR PADS TO CLEAN THE PRODUCT. YOU WILL DAMAGE THE PLATED FINISH AND VOID YOUR WARRANTY.

### SPARES



### SPARE PARTS & SERVICE

**ROHL**<sup>®</sup>  
Authentic Luxury for Kitchen and Bath™

3 PARKER  
IRVINE  
CA 92618  
(714) 557-1933

[WWW.ROHLHOME.COM](http://WWW.ROHLHOME.COM)

PERRIN & ROWE PRODUCTS ARE MANUFACTURED IN ENGLAND USING QUALITY MATERIALS, THE LATEST TECHNOLOGY AND BUILT TO THE HIGHEST STANDARDS.

WE WOULD LIKE TO THANK YOU FOR PURCHASING THIS PERRIN & ROWE PRODUCT AND INVITE YOU TO VIEW THE COMPREHENSIVE RANGE OF PERRIN & ROWE TAPWARE, SHOWER FITTINGS, BATHROOM ACCESSORIES, SOAP DISPENSERS AND BATHROOMWARE.

PLEASE CONTACT US TO RECEIVE OUR LATEST PRODUCT CATALOGUES OR VIEW THEM ONLINE AT [WWW.ROHLHOME.COM](http://WWW.ROHLHOME.COM)