

INSTALLATION INSTRUCTIONS

ROHL R1040R

Rough 3/4" Counterclockwise Opening
Concealed Wall Valve for Volume Control

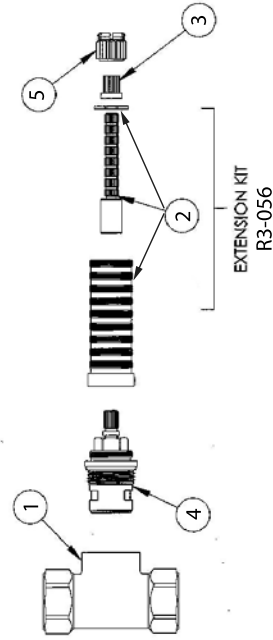
INSTALLATION INSTRUCTIONS

*SUITABLE FOR PERRIN & ROWE, ROHL COUNTRY,
AND MICHAEL BERMAN SHOWER INSTALLATIONS

WORKS WITH THESE TRIM SETS:

Perrin & Rowe	Nicolazzi	Michael Berman
U.5542 U.5543	A4912	MB1951
U.5742 U.5743	A2912	
U.3240 U.3241	A4012	
U.3774 U.3775	A4212	
U.3604 U.3605		

ITEM NO.	PART NUMBER	DESCRIPTION	QTY.
1	N/A	3/4 SHUTOFF TEE	1
2	R3-056	20 FT. BROACH STABILIZER	1
		20 POINT BROACH EXTENSION	1
		M24X1.0 ALL THREAD EXTENSION	1
3	9.15402	STEM ADAPTOR FOR PERRIN & ROWE	1
4	10215	STANDARD COUNTERCLOCKWISE CARTRIDGE	1
	10214	CLOCKWISE CARTRIDGE (SOLD SEPARATELY)	1
5	R30083	STEM ADAPTOR NICOLAZZI	1



ROHL WARRANTY POLICY

- ROHL PRODUCTS ALL CARRY WARRANTIES AGAINST MANUFACTURING DEFECTS.
- THE R1040R VALVES CARRY A LIMITED LIFETIME WARRANTY.
- ROHL LLC WILL PROVIDE FREE OF CHARGE, AT ITS OPTIONS, REPLACEMENT PART(S) OR PRODUCT (OR A COMPARABLE ALTERNATIVE PRODUCT) TO REPLACE THOSE WHICH HAVE PROVEN DEFECTIVE IN MATERIALS OR WORKMANSHIP.

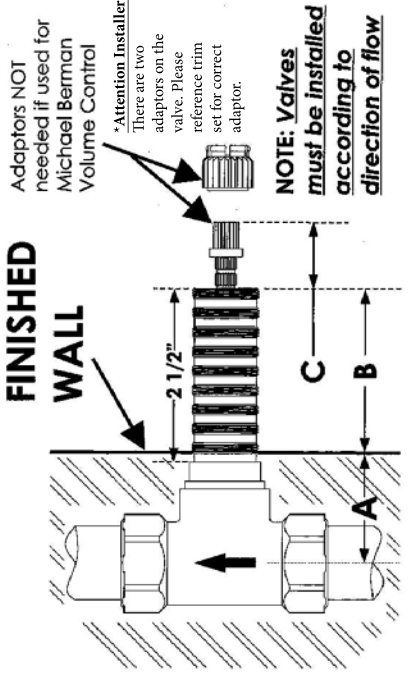
SPARE PARTS AND SERVICE:

ROHL
3 PARKER
IRVINE, CA 92618
P (714) 557-1933
F (714) 557-8635
WWW.ROHLHOME.COM

INSTALLATION INSTRUCTIONS

Adaptors NOT needed if used for Michael Berman Volume Control

***Attention Installer:**
There are two adaptors on the valve. Please reference trim set for correct adaptor.



REQUIRED MEASUREMENTS

A = 1 1/8" MIN.
B = ~5/16" (MUST LEAVE MIN. 5/16" EXPOSED OR TRIM WILL NOT FIT)
C = ~3/4" (MUST LEAVE MIN. 3/4" EXPOSED OR HANDLE WILL NOT ATTACH)

NOTE: Valves must be installed according to direction of flow

BEFORE USE:

- CAREFULLY CHECK THE INSTALLATION FOR LEAKS.
- IF FURTHER WORK IS GOING TO BE DONE IN THE VICINITY OF THE VALVE AND TRIM, COVER THE INSTALLATION WITH A PLASTIC BAG TO HELP AVOID DAMAGE TO THE FINISH.

CARE AND MAINTENANCE:

- RECOMMEND OCCASIONAL CLEANING WITH WARM SOAPY WATER FOLLOWED BY POLISHING WITH A SOFT CLOTH TO KEEP THE PLATED FINISH IN GOOD CONDITION.
- DO NOT USE ABRASIVE LIQUIDS, POWDERS, OR PADS TO CLEAN THE PRODUCT. YOU WILL DAMAGE THE FINISH AND VOID THE WARRANTY.

SPECIFICATIONS

TEMPERATURE RANGE:

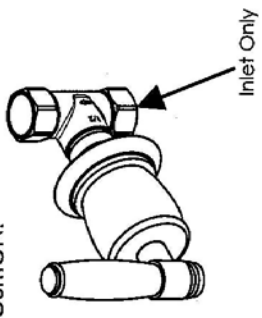
- MINIMUM 34°F
- MAXIMUM 185°F

RECOMMENDED OPERATING PRESSURE:

- MINIMUM 15 PSI
- MAXIMUM 75 PSI

INSTALLATION NOTES

- MUST HAVE BOTH ROUGH AND TRIM TO COMPLETE THE INSTALLATION.
- FLUSH THE PLUMBING SYSTEM BEFORE INSTALLING THIS PRODUCT.
- MUST FOLLOW DIMENSIONS SUPPLIED FOR INSTALLATION AND MAKE SURE ALLOWANCE IS MADE FOR FINISHED WALL MATERIAL SUCH AS TILE, ETC.
- MUST INSURE THE HANDLE IS VERTICAL WHEN THE VALVE IS IN THE "OFF" POSITION.



NOTE: Lever should be in UP position for 'off' (Michael Berman trim shown).

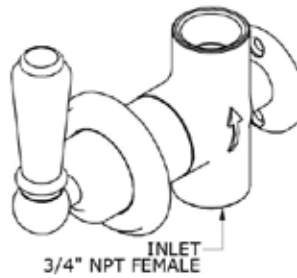
IMPORTANT: WE RECOMMEND THE USE OF A LICENSED PLUMBER TO INSTALL THIS PRODUCT. PLEASE READ AND UNDERSTAND THE PROVIDED INSTALLATION INFORMATION BEFORE PROCEEDING.

INSTALLATION INSTRUCTIONS



The Traditional Bathroom Collection

Installation & User Guide



3/4" Wall Valve

PAIR
U.3230L
U.3230LS
U.3231X

SINGLE - ROUGH
U.3240R

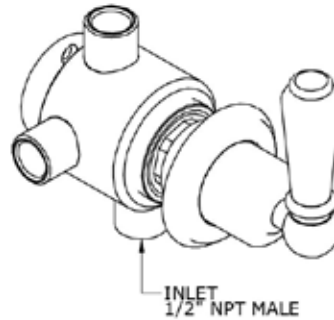
SINGLE - TRIM
U.3240TL
U.3240TLS
U.3241TX

INLET
3/4" NPT FEMALE

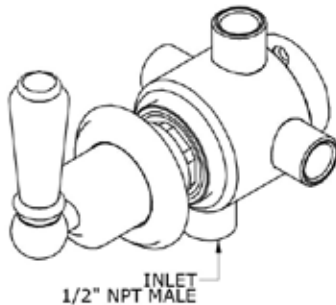
Three Way Diverter

ROUGH
U.5542R-N
(U.5542NVO)

TRIM
U.3240TL
U.3240TLS
U.3241TX



INLET
1/2" NPT MALE



Four Way Diverter

ROUGH
U.5562R-N
(U.5562NBO)

TRIM
U.3240TL
U.3240TLS
U.3241TX

Temp Range:
Min 34°F
Max 185°F

Recommended Working Pressure:
Min 15 psi
Max 75 psi

INLET
1/2" NPT MALE

Where Rough and Trim Kits are used both must be ordered to complete the installation.

INSTALLATION INSTRUCTIONS

The Traditional Bathroom Collection Installation & User Guide

Congratulations on the purchase of your Perrin & Rowe Bathroom Product. Correctly installed and with sensible care, this product will give you many years of trouble free service.

IMPORTANT INFORMATION

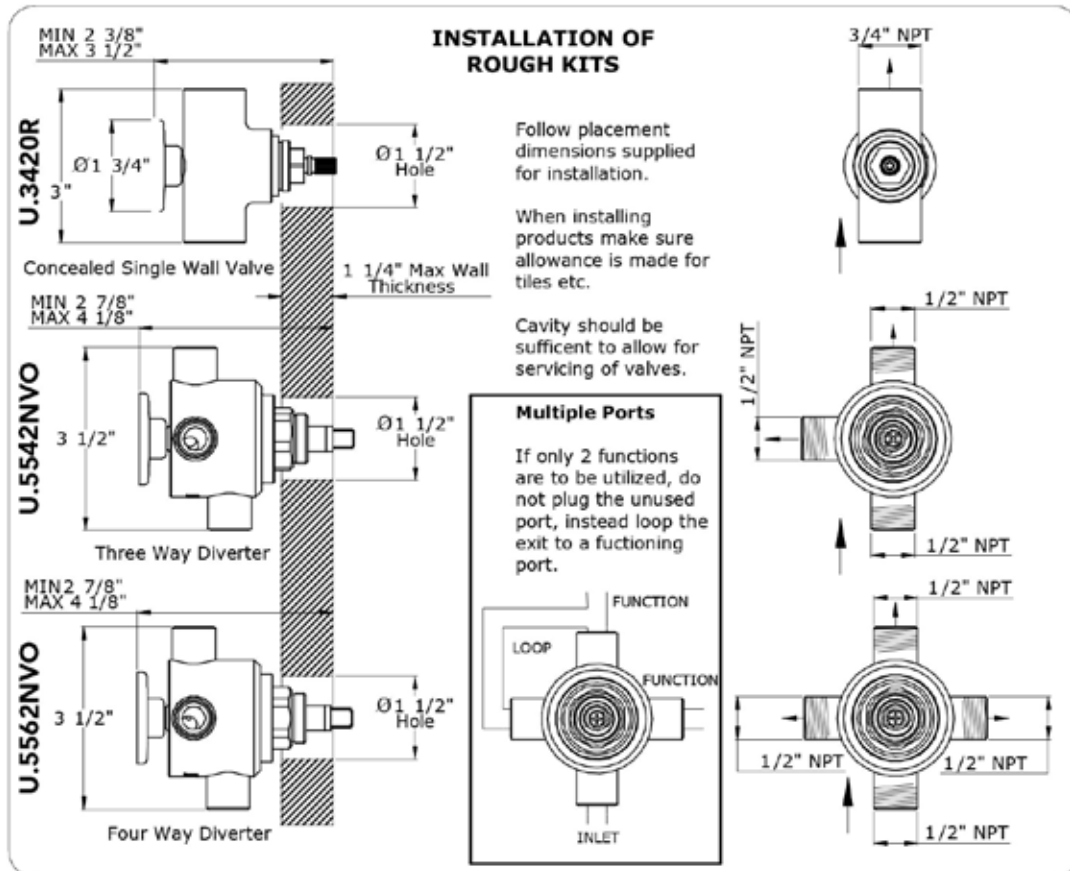
Before you proceed... We recommend you engage the services of a registered plumber to install this product.

In addition to the guide below it is essential that the written information overleaf is carefully read and understood.

Preparation for Installer

Flush the plumbing system before installing the bathroom product.

Once unpacked remove Trim Kit ready for installation.

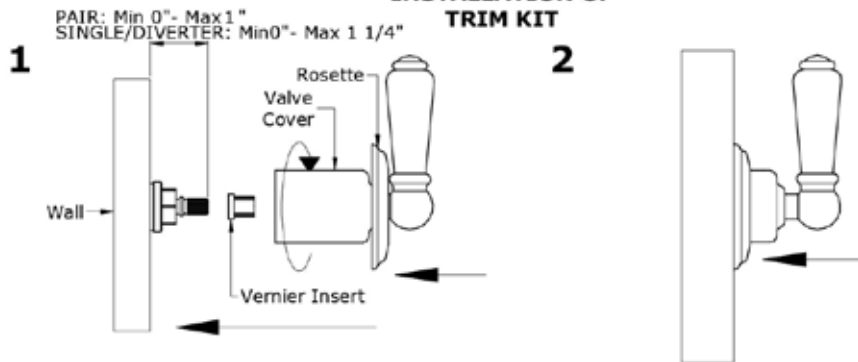


INSTALLATION INSTRUCTIONS

Special Note for Installing a 'Pair' of Lever 3/4" Wall Valves



INSTALLATION OF TRIM KIT



U.3233 5/8" Extension.

U.3243 1 1/4" Extension.

Required if Rough Kit is outside the above Min - Max figure.

If required screw Extension over Rough Kit before carrying out Trim Kit Installation.

Concealed Wall Valve

Ensure the handle is vertical when the valve is in the 'off' position.

If required the Vernier Insert can be removed and turned a few splines until correct alignment is achieved.

Three & Four Way Diverter

For ideal operation, place the handle vertically when the diverter is fully open on one port.

If required the Vernier Insert can be removed and turned a few splines until correct alignment is achieved.

OPERATION

Ceramic disc valves are fitted as standard to the Wall Valves. Flow from FULLY OFF to FULLY ON is achieved by rotating the handles a quarter turn.

BEFORE USE

- Carefully check the installation for leaks.
- If further building work is to be carried out in the vicinity, cover the fitting to avoid damaging the finish.
- Please ensure that the installation complies with the local plumbing codes.