



EXPOSED FLOOR MOUNT TUB FILLER WITH HANDSHOWER AND CROSS HANDLES

ROHL Perrin & Rowe® Bath

U.3521X/1

FEATURES

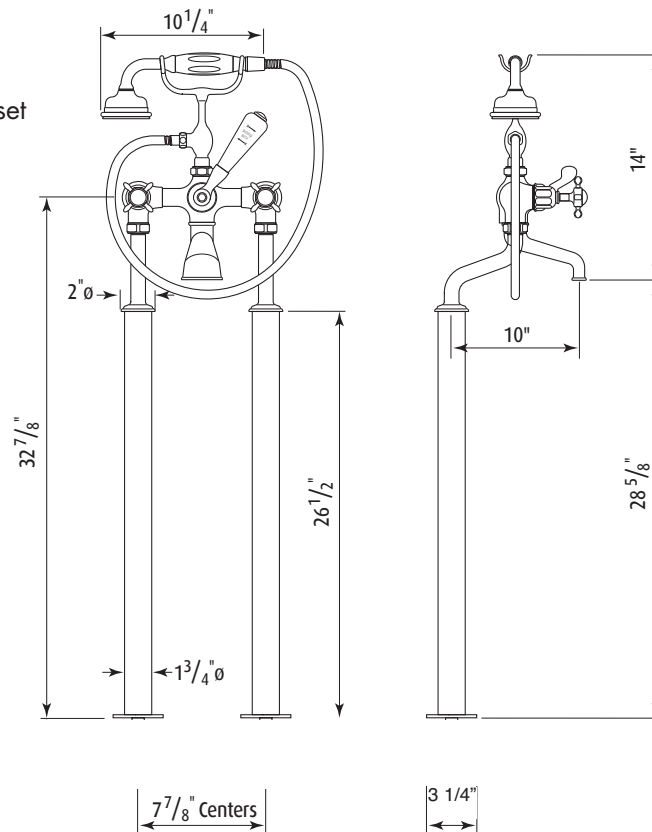
- 1/2" NPT connections
- Spout, valve, and handles made from solid brass
- 1/4 turn ceramic disc valves
- Unique handle fixing clip, engineered to increase the life of the valve
- 19 GPM at 40 PSI
- Kit includes:
U.3531X Tub filler
U.5380 Hand shower cradle set
U.6388 Floor pillar legs

FINISHES

- Polished Chrome
- Polished Nickel
- Satin Nickel
- Inca Brass
- English Bronze

WARRANTY

- Limited Lifetime



Consult your local ROHL showroom for additional information and specifications. For complete warranty details and a list of showrooms, go to www.rohlhome.com.