

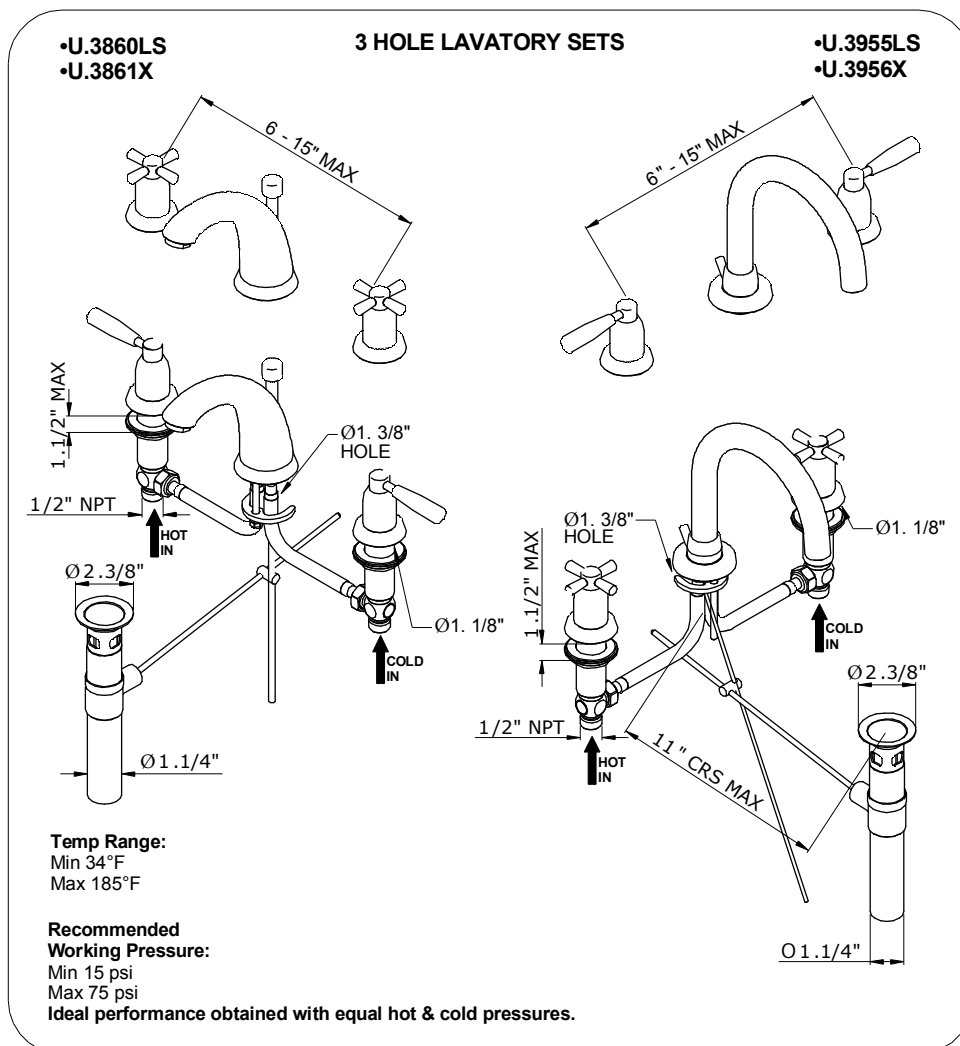
INSTALLATION INSTRUCTIONS

PERRIN & ROWE

MAYFAIR LONDON

The Transitional Bathroom Collection

Installation & User Guide



INSTALLATION INSTRUCTIONS

The Transitional Bathroom Collection Installation & User Guide

Congratulations on the purchase of your Perrin & Rowe bathroom product. Correctly installed and with sensible care, this product will give you many years of trouble free service.

IMPORTANT INFORMATION

Before you proceed... We recommend you engage the services of a registered plumber to install this product.

In addition to the guide below it is essential that the written information overleaf is carefully read and understood.

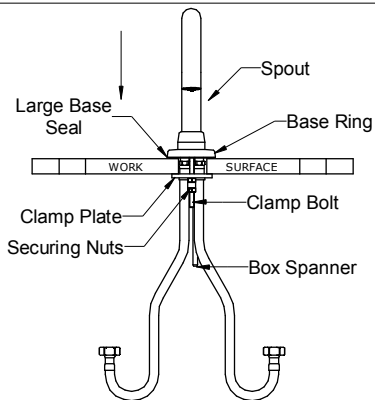
Flush the plumbing system before installation.

Preparation for the installation.

Flush the pipework before installing this faucet.

Once unpacked remove large & small base seals, rosette, hood & lever, securing nut, clamp plate, pop-up and top waste ready for installation.

1



SPOUT

- Assemble the spout by placing the hoses through the Ø1. 3/8" hole in the work surface, ensuring the base ring & rubber seal are in place.
- Place clamp plate and securing nuts onto the clamp bolt, tighten with spanner provided to underside of work surface.

To install the side valve, remove hood, rosette, fixing ring & base seal.

Adjust the backnut to allow the valve body to be passed up through the work surface hole.

Thread on the Fixing Ring, ensuring the Base Seal is in place.

Orientate the Valve Body to allow the Flexible Hose to be connected without any kinks.

Place Rosette over the Fixing Ring then screw down the Hood onto the Valve Body ensuring the Lever or X-Top is correctly orientated. The Lever should rotate forward to turn the flow on.

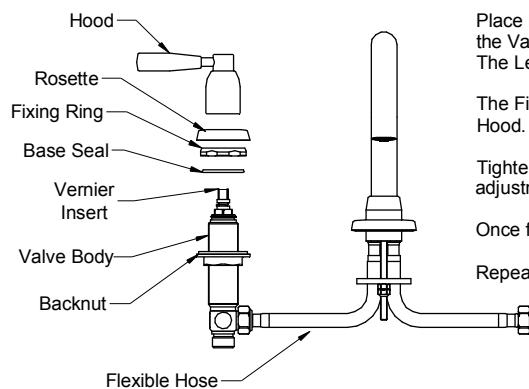
The Fixing Ring can now be screwed up so the Rosette meets the Hood.

Tighten the backnut to securely fix the side valve in place, making minor adjustments to ensure the lever remains correctly orientated.

Once fully secured check that the Flexible Hose remains kink free.

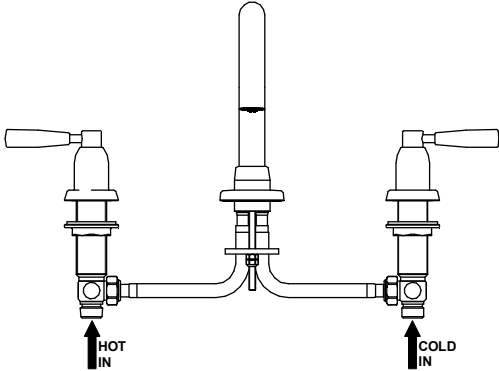
Repeat this process for the other side valve.

2



INSTALLATION INSTRUCTIONS

3



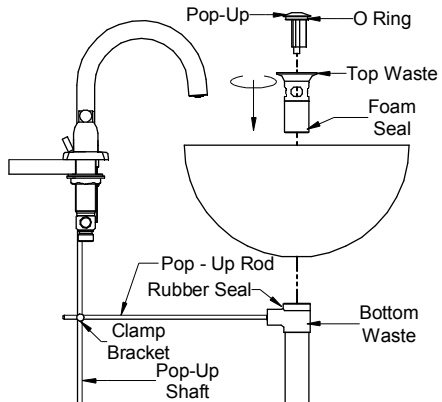
Connect and tighten the flexible hoses.

Connect HOT & COLD water supplies to the side valve inlets.

Ensure all connections are firmly tightened.

Please Note: Ceramic disc valves are fitted as standard to this mixer. Flow from FULLY OFF to FULLY ON is achieved by rotating the handles a quarter turn.

4



Adjusting Sink Waste

- Ensure that pop-up shaft is in position alongside pop-up rod.
- Shaft and rod can be cut if space is restricted.
- Secure pop-up using clamp bracket.
- Adjust position of clamp bracket to achieve maximum movement of pop-up shaft.
- Place pop-up into waste and adjust movement of pop-up shaft.

BEFORE USE

- Carefully check the installation for leaks.
- If further building work is to be carried out in the vicinity, cover the product to avoid damaging the finish.
- Please ensure that the installation complies with local plumbing codes.

CARE & MAINTENANCE

- Occasional cleaning with warm soapy water, followed by a polish with a soft cloth is all that is required to keep the plated finish in good condition.
- If you wish to occasionally polish your tap and it has a Chrome, Nickel or Pewter finish, we recommend a gentle metal cleaner such as AUTOSOL metal polish, which is available from hardware and automotive parts stores.
- **Do not use any cleaners on Gold or English Bronze taps.**
- **Do not use proprietary abrasive liquids, powders, or pads to clean the product. You will damage the plated finish and void your warranty.**