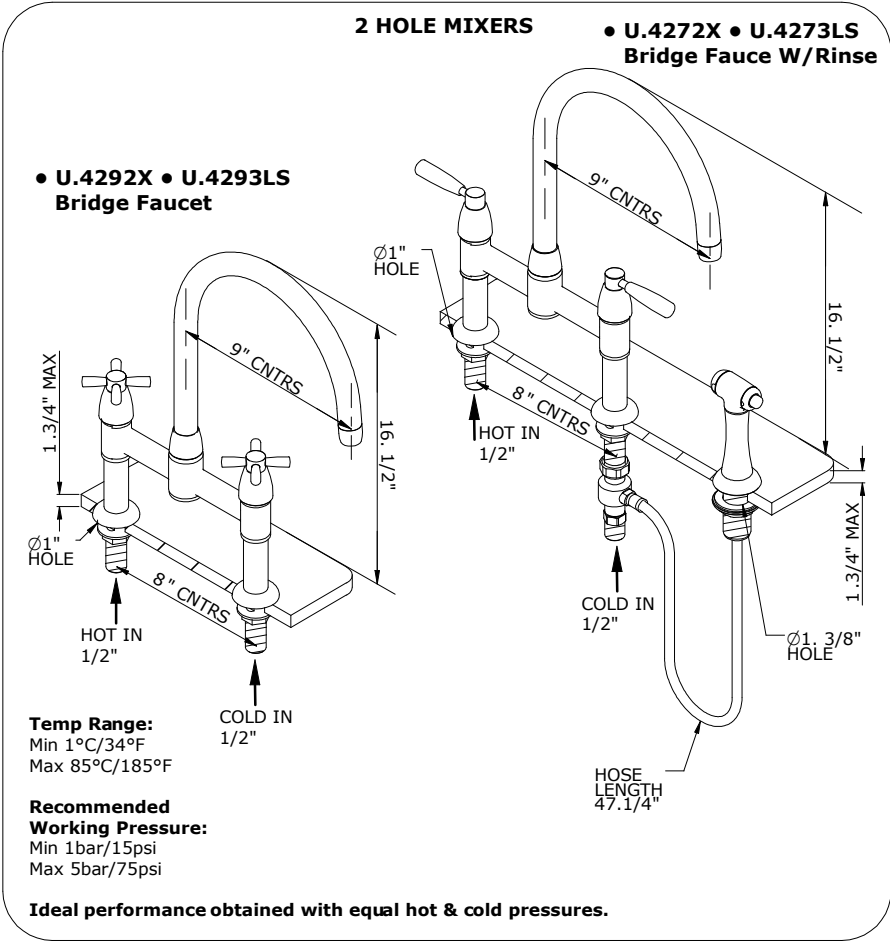


Installation Instructions



The Contemporary Kitchen Collection
Installation & User Guide



Consult your local ROHL showroom for additional information and specifications. For complete warranty details and a list of showrooms, go to www.rohlhome.com.

Installation Instructions

The Contemporary Kitchen Collection Installation & User Guide

Congratulations on the purchase of your Perrin & Rowe Kitchen Product. Correctly installed and with sensible care, this product will give you many years of trouble free service.

IMPORTANT INFORMATION

The following are instructions for the bridge faucet w/ rinse and without rinse. Please read carefully to ensure correct installation.

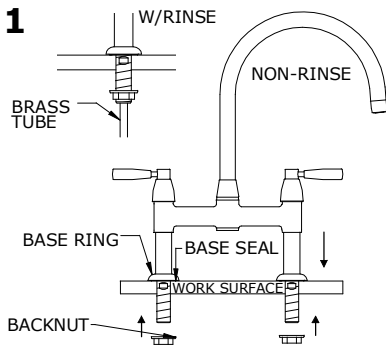
Before you proceed... We recommend you engage the services of a registered plumber to install this product.

For ease of possible future servicing, we also recommend the fitting of conveniently placed isolating valves.

In addition to the guide below it is essential that the written information overleaf is carefully read and understood.

Preparation Check Box for Installer

- Flush the plumbing system before installing the kitchen product. Once unpacked remove Backnuts and Side Spray Connector ready for installation.



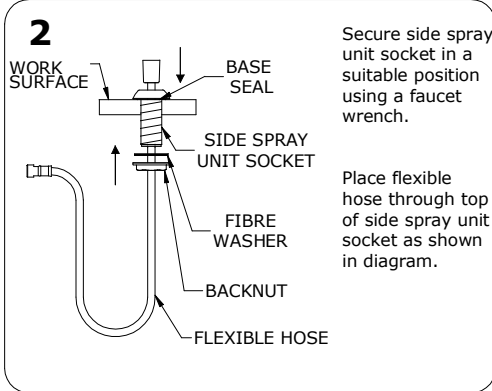
Ensure the mixer is orientated correctly, levers should rotate to point forward.

Secure mixer with a suitable faucet wrench.

The kitchen faucet with side spray is supplied with a brass tube protruding out of the bottom of the shank. Please be careful not to damage the end of this tube during installation.

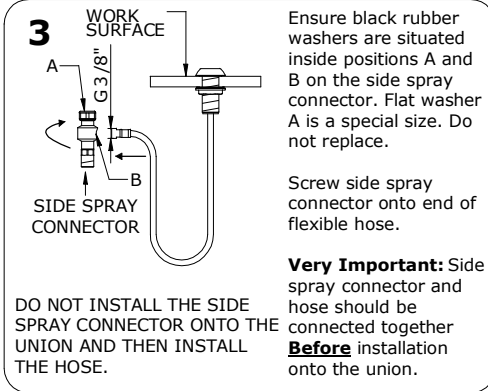
If your mixer has a side spray please follow steps 2,3 & 4 to install correctly, otherwise please connect Hot & Cold water supplies to shanks.

Ensure all connections are firmly tightened



Secure side spray unit socket in a suitable position using a faucet wrench.

Place flexible hose through top of side spray unit socket as shown in diagram.



Ensure black rubber washers are situated inside positions A and B on the side spray connector. Flat washer A is a special size. Do not replace.

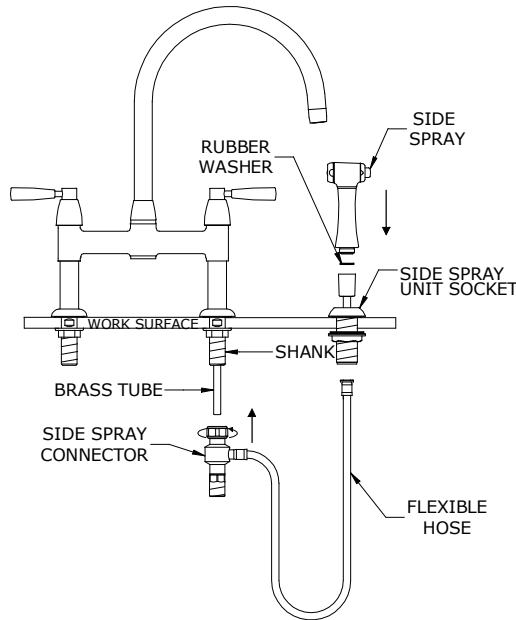
Screw side spray connector onto end of flexible hose.

Very Important: Side spray connector and hose should be connected together **Before** installation onto the union.

DO NOT INSTALL THE SIDE SPRAY CONNECTOR ONTO THE UNION AND THEN INSTALL THE HOSE.

Installation Instructions

4



Please note: If there is a low flow at the hand spray, reinstall the side spray connector: Remove the hose and follow the instructions in step 3.

Important - Do not cut brass tube.

Carefully feed the side spray connector over the protruding brass tube and secure tightly onto the shank.

Ensure black rubber washer is in place before securing side spray to flexible hose.

Holding the side spray, screw the flexible hose onto the end of side spray and place into side spray unit socket. Make sure orientation of side spray is correct.

Connect Hot & Cold water supplies to shanks.

Ensure all connections are firmly tightened.

Please Note: Ceramic disc valves are fitted as standard to this mixer. Flow from FULLY OFF to FULLY ON is achieved by rotating the handles a quarter turn.

Models U.4292X and U.4293LS do not have a rinse connector. A rinse connector cannot be added later.

Models U.4272X and U.4273LS do have a rinse connector.

BEFORE USE

- Carefully check the installation for leaks.
- If further building work is to be carried out in the vicinity, cover the tap with a plastic bag to avoid damaging the finish.
- Please ensure that the installation complies with local plumbing codes.

CARE & MAINTENANCE

Wipe down after use to avoid water spotting and mineral build up.

Occasional cleaning with warm soapy water, followed by a polish with a soft cloth is all that is required to keep the plated finish in good condition.

Do not use proprietary abrasive liquids, powders, or pads to clean the tap. Do not use any products with ammonia bleach or limescale remover. You will damage the plated finish and void your guarantee.

Installation Instructions

ROHL WARRANTY POLICY

All products supplied by ROHL carry warranties against manufacturing defects.

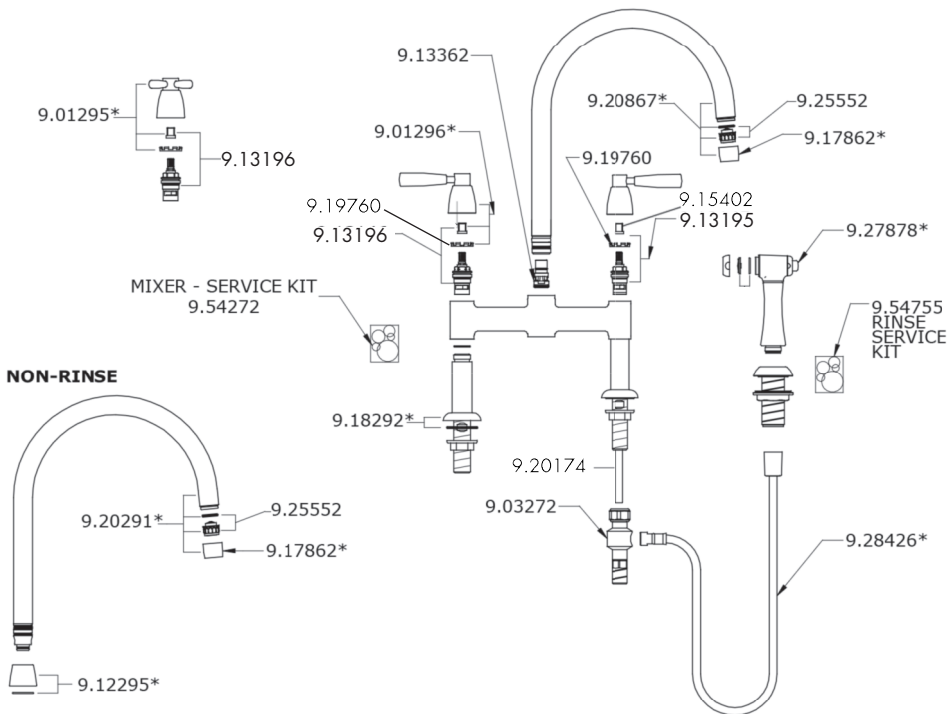
Perrin & Rowe products carry a Limited Lifetime Warranty.

ROHL LLC will provide free of charge, as its options, replacement part(s) or product (or a comparable alternative product) to replace those which have proven defective in materials or workmanship.

For full ROHL LLC WARRANTY please contact ROHL or visit www.rohlhome.com

SPARES

RINSE



* Where indicated please specify color

SPARE PARTS & SERVICE

ROHL
Authentic Luxury for Kitchen and Bath®
3 Parker
Irvine
CA 92618
(714) 557-1933
www.rohlhome.com

Perrin & Rowe products are manufactured in the UK, using the latest technology and built to the highest quality standards.

We would like to thank you for purchasing a Perrin & Rowe product and take this opportunity to invite you to look at other luxury products by us. Please contact us to receive our latest catalogue.