

INSTALLATION INSTRUCTIONS

PERRIN & ROWE

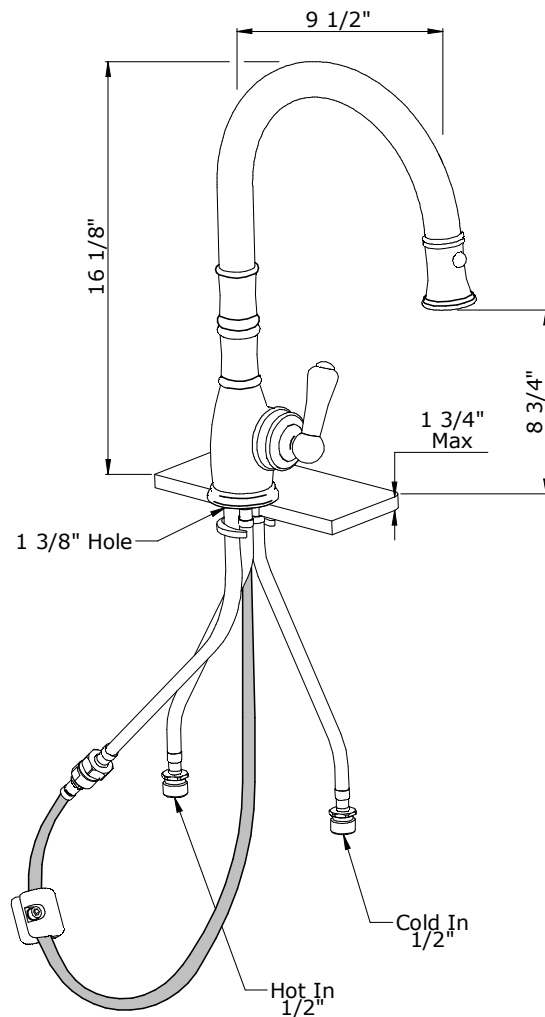
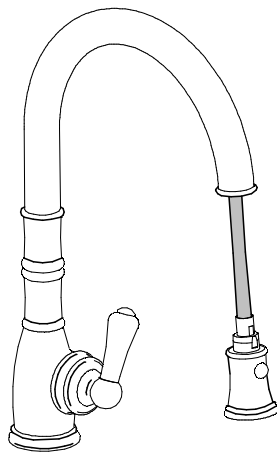
M A Y F A I R L O N D O N

The Country Kitchen Collection

Installation & User Guide

U.4744

Country Kitchen Pull Down



Temp Range:

Min 1°C/34°F
Max 85°C/185°F

Recommended Working Pressure:

Min 1bar/15psi
Max 5bar/75psi

Ideal performance obtained with equal hot & cold pressures.