

INSTALLATION INSTRUCTIONS

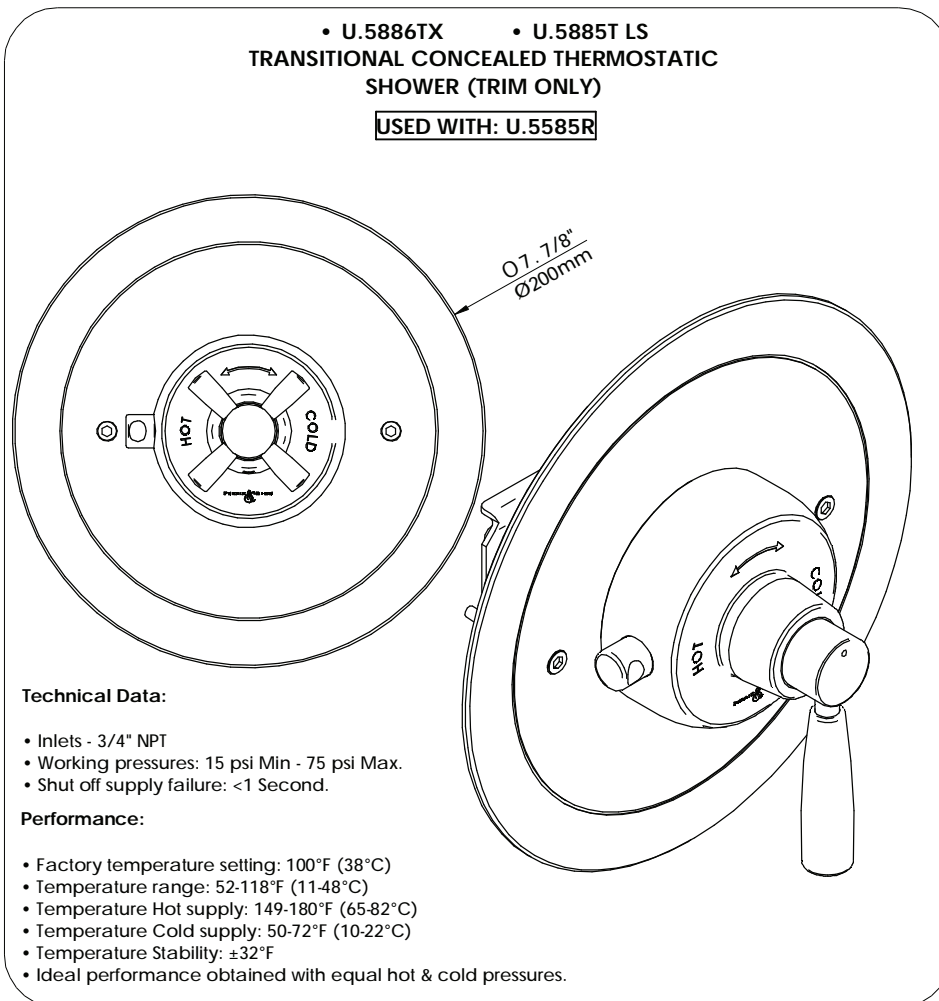


The Transitional Bathroom Collection

Installation & User Guide

• U.5886TX • U.5885T LS
TRANSITIONAL CONCEALED THERMOSTATIC
SHOWER (TRIM ONLY)

USED WITH: U.5585R



INSTALLATION INSTRUCTIONS

The Transitional Bathroom Collection Installation & User Guide

Congratulations on the purchase of your Perrin & Rowe bathroom tapware. Correctly installed and with sensible care, this product will give you many years of trouble free service.

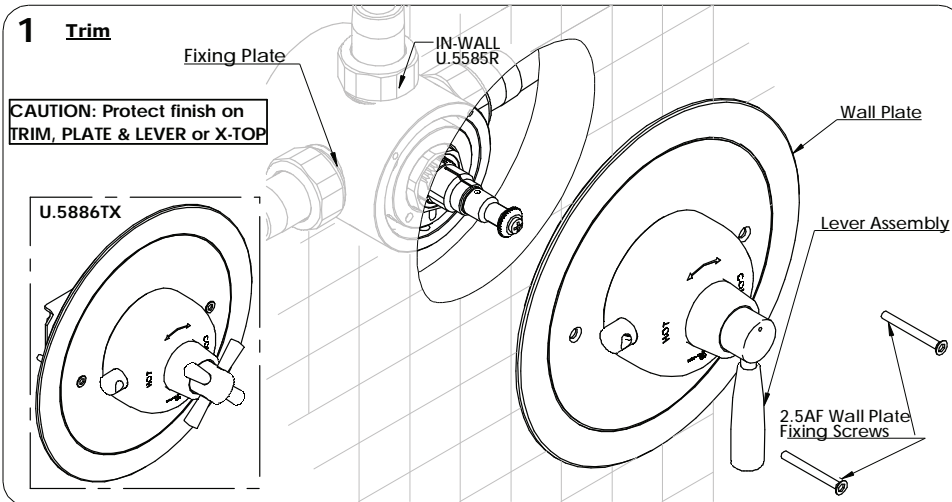
IMPORTANT INFORMATION

Before you proceed... We recommend you engage the services of a registered plumber to install this product.

In addition to the guide below it is essential that the written information overleaf is carefully read and understood.

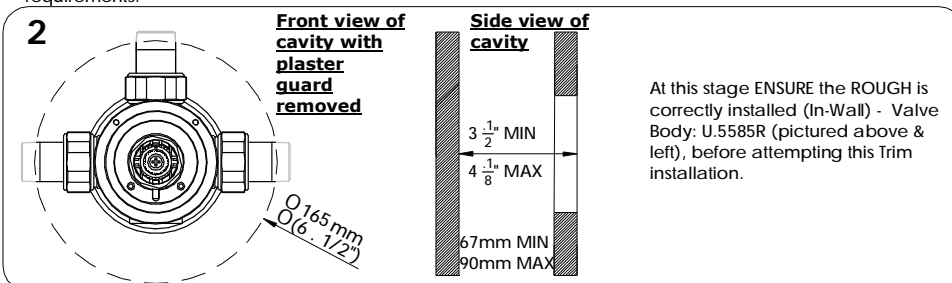
Preparation Check Box for Installer

- Please check that the contents of your Perrin & Rowe Shower Trim set are complete. Please check before you install the product that there is no damage to the contents as **we cannot accept any responsibility after installation.**



Preparation Check Box for Installer - Wall Mounted

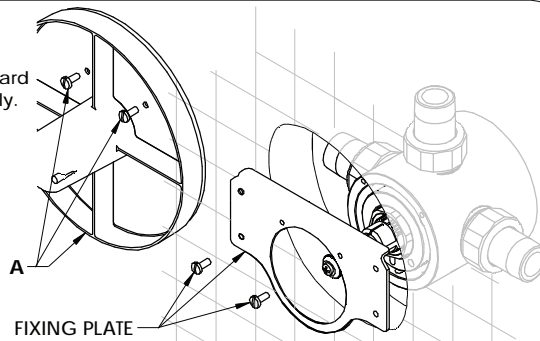
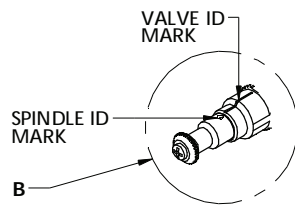
- We recommend that the hot and cold supplies should have conveniently placed isolating valves to accommodate any servicing requirements.
- Flush the plumbing system before installing the bathroom product.
- Prepare cavity to sizes shown below.



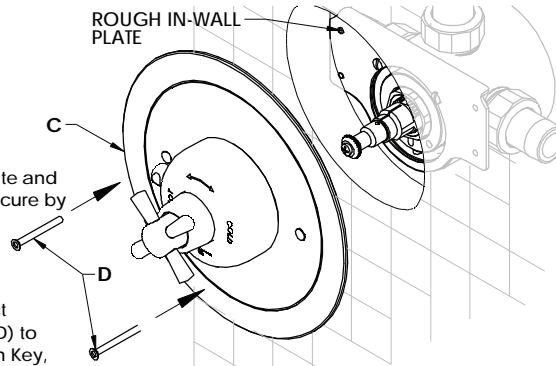
INSTALLATION INSTRUCTIONS

3 INSTALL TRIM

- When finished tiling the wall, remove the plaster guard (A) by removing x2 screws, and turn off water supply.
- Fit fixing plate onto in-wall rough.
- Ensure the 2 alignment ID marks on both Splined Spindle and Valve Cartridge are aligned with each other before you attempt to place the Trim in position (see diagram B).



- Align holes on face plate with rough in-wall plate and push on Trim assembly (C), ensuring the fit is secure by rotating the Lever against the override stop.



- Once the Trim assembly is mounted into correct aligned position, use Face Plate fixing screws (D) to secure face plate to tiled wall. Use a 2.5AF Allen Key, taking care not to damage finish.

OPERATION

- The temperature is adjusted by rotating the Lever/X-Top either left or right.
- Rotate the separate flow control lever anti-clockwise a quarter turn to activate the shower flow.
- The thermostatic cartridge has been set to give a temperature of 100°F (38°C), this is when the temperature control lever is in the vertical position.
- A hotter shower can be achieved by pulling out the temperature override mechanism (see diagram) and rotating the lever anti-clockwise, up to 118°F (48°C).
- **Anti-Scald:** The Thermo cartridge will automatically shut down completely on failure of either the hot or cold supply. This is to safe guard children or the elderly. Cartridge will reactivate when failure has been corrected.

