

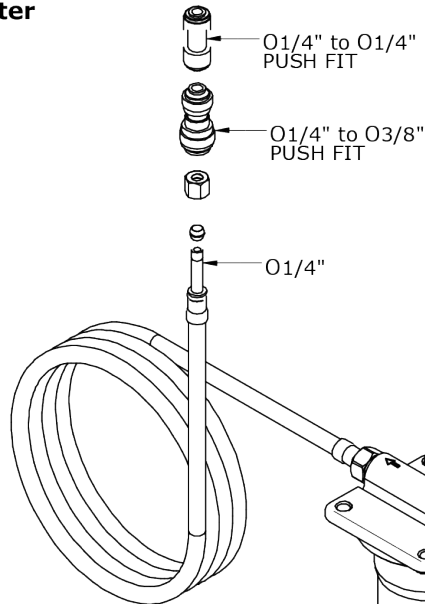
Installation Instructions



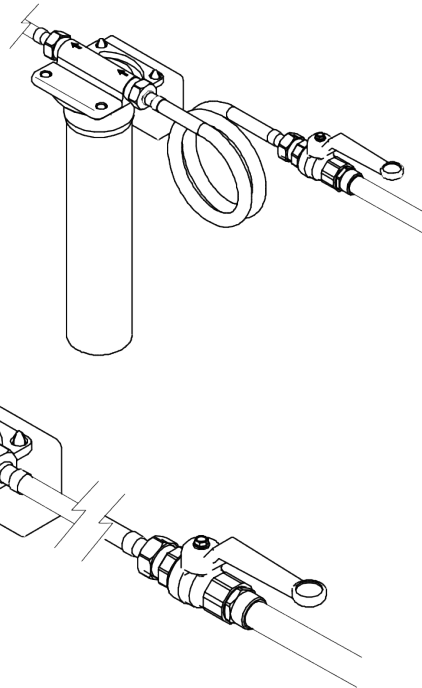
The Triflow Kitchen Collection

Filter Installation Guide

• U.1812 Triflow Filter Fitted with U.1802 filter



• U.1816 Pre-Filter Fitted with U.1620 filter



Temp Range:
Max 85°C/185°F

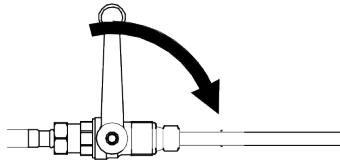
**Recommended
Working Pressure:**
Min 1.7bar/25psi
Max 5bar/75psi

**Please register your new product.
Complete the enclosed registration card, or call Toll free on 800.777.9762.**

ROHL
Authentic Luxury for Kitchen and Bath®

Installation Instructions

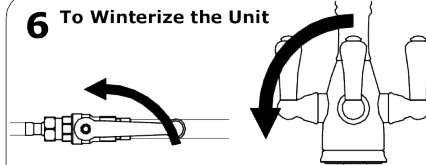
5



Turn on the main supply valve. Run the filtered water for 2 minutes to flush the system, and carefully check the system for leaks. The system is now ready for use.

For optimum filter performance when using the U.1802 filter cartridge use the stop valve to set a water flow of 0.4gpm to 0.5gpm max.

6 To Winterize the Unit

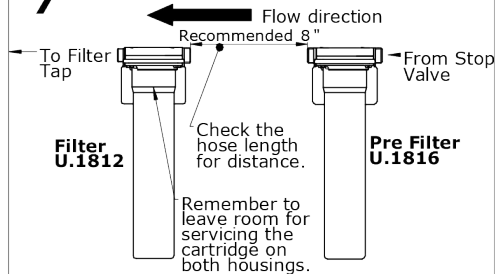


Shut off mains supply. A stop valve was supplied with the system for this purpose, and will be located on the adjacent pipe work.

If you plan to be away from home for extended periods, carry out the procedures above, to prevent the risk of freezing. Freezing will invalidate the warranty.

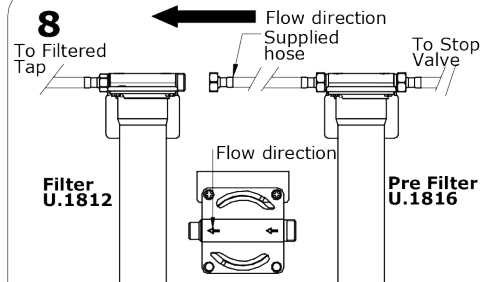
Turn the filtered lever on the faucet to the on position. This will confirm the water supply is off, and release the pressure in the system.

7 Pre-filter Installation



If installing a Pre-filter follow steps 1-3 for the second bracket taking into account the hose length supplied from the Pre-filter to the filter.

8



Tighten the hoses from the stop valve to the housings following the flow of the water shown on the cap. When installing the Pre-filter the system flows from the stop valve to the Pre-filter and on to the filter housing and then up to the filter tap.

IMPORTANT NOTES

Do not use with water, that is microbiologically unsafe or of unknown quality without adequate disinfection before or after the system. Systems certified for cyst reductions may be used on disinfected waters that may contain filterable cysts.

Please ensure that the installation complies with applicable State & local plumbing codes.

System is to be supplied with cold water only.

CARE & MAINTENANCE

Wipe down after use to avoid water spotting and mineral build up.

Installation Instructions

The Perrin and Rowe Collection Filter Installation Guide

Congratulations on the purchase of your Perrin and Rowe/Triflow filtration Product. Correctly installed and with sensible care, this product will give you many years of trouble free service.

IMPORTANT INFORMATION

These are instructions for Triflow filters and the optional add on pre-filter version of the model you are installing. Please read carefully to ensure correct installation.

Before you proceed... We recommend you engage the services of a registered plumber to install this product.

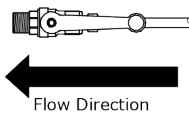
In addition to the guide below it is essential that the written information overleaf is carefully read and understood.

Preparation for Installer

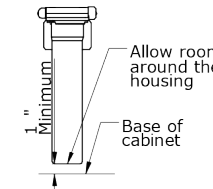
Flush the plumbing system before installing the Kitchen product.

Ensure you have the correct fittings to connect to the filter faucet

1 $\phi 3/8"$ Main Cold Feed



Flow Direction

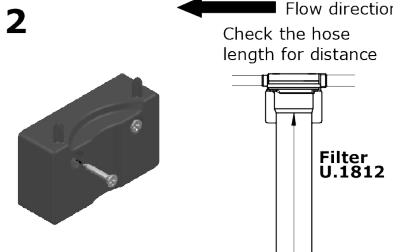


Allow room around the housing
Minimum
Base of cabinet

Position the filter housing leaving room around it for future access and cartridge replacement. Mark the screw holes ready for pilot holes. Leave room for the Pre-filter housing if necessary.

Install the supplied stop valve in an easily accessible area to allow access to turn off the water supply in the future, for servicing and cartridge replacement.

2



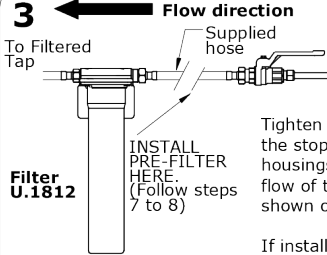
Flow direction
Check the hose length for distance

Filter U.1812

Remember to leave room for servicing the cartridge on both housings.

Drill the pilot holes and screw the filter housing bracket in position. Making sure to keep as level as possible.

3



Flow direction
To Filtered Tap
Supplied hose

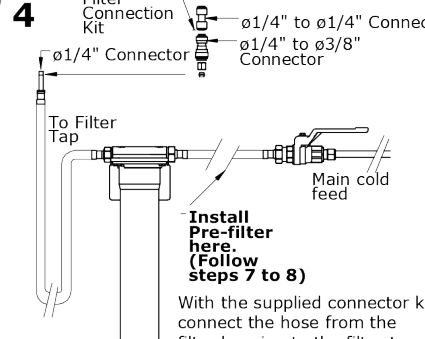
Filter U.1812

INSTALL PRE-FILTER HERE. (Follow steps 7 to 8)

Tighten the hoses from the stop valve to the housings following the flow of the water shown on the cap.

If installing a Pre-filter the system flows from the stop valve to the Pre-filter and on to the filter housing and then up to the filter tap.

4



Filter Connection Kit
 $\phi 1/4"$ to $\phi 1/4"$ Connector
 $\phi 1/4"$ to $\phi 3/8"$ Connector
 $\phi 1/4"$ Connector
To Filter Tap
Main cold feed

Install Pre-filter here. (Follow steps 7 to 8)

With the supplied connector kit connect the hose from the filter housing to the filter tap using one of the connectors.

Installation Instructions

ROHL WARRANTY POLICY

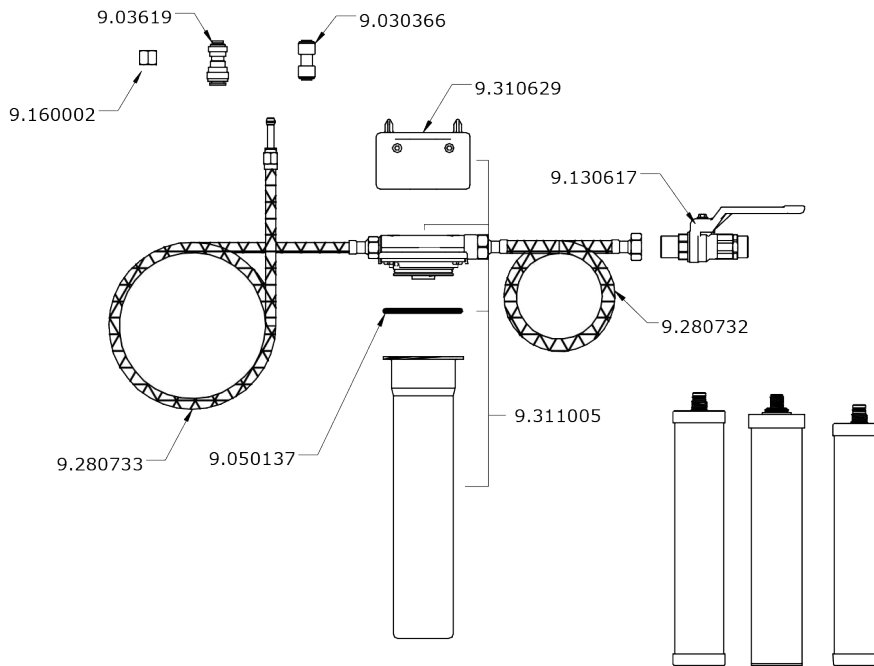
All products supplied by ROHL carry warranties against manufacturing defects.

Triflow products carry a Limited Lifetime Warranty.

ROHL LLC will provide free of charge, as its options, replacement part(s) or product (or a comparable alternative product) to replace those which have proven defective in materials or workmanship.

For full ROHL LLC WARRANTY please contact ROHL or visit www.rohlhome.com

SPARES



Cartridge Service

ROHL
3 Parker
Irvine, CA 92618
800-777-9762
www.rohlhome.com

The U.1812 Inline Filter System has been tested & certified by the Water Quality Association according to NSF/ANSI 42 & 53 for the performance claims as verified and substantiated by the test data.



Katadyn of Switzerland
Exclusive manufacturers of the FRX02 Filter Cartridges for Triflow