

Fixture Type: _____

Catalog Number: _____

Project: _____

Location: _____

Sleepless Wall Light 3000K

| Model & Size | Color Temp & CRI | Watt | Voltage | LED Lumens | Delivered Lumens | Finish |
|---------------|------------------|------|-------------|------------|------------------|------------------------|
| WS-W43011 11" | 3000K 90 | 13W | 120-277 VAC | 700 | 385 | BK/AB Black/Aged Brass |

Example: **WS-W43011-BK/AB**

DESCRIPTION

Modern farmhouse industrial. A beckoning invitation.

FEATURES

- Driver concealed within fixture
- 5 Year warranty

SPECIFICATIONS

| | |
|----------------------|--|
| Color Temp: | 3000K |
| Input: | 120-277 VAC, 50/60Hz |
| CRI: | 90 |
| Dimming: | ELV: 100-10%, 0-10V: 100-5%, TRIAC: 100-5% |
| Rated Life: | 50000 Hours |
| Standards: | ETL, cETL, IP65 Wet Location Listed |
| Construction: | Aluminum hardware with hammered seedy glass diffuser |

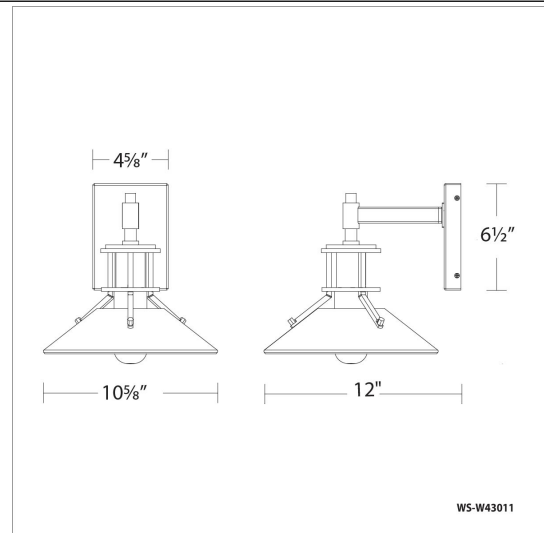


FINISHES



Black/ Aged
Brass

LINE DRAWING



Fixture Type: _____

Catalog Number: _____

Project: _____

Location: _____

Sleepless Wall Light 3000K

| Model & Size | Color Temp & CRI | Watt | Voltage | LED Lumens | Delivered Lumens | Finish |
|---------------|------------------|------|-------------|------------|------------------|------------------------|
| WS-W43015 15" | 3000K 90 | 18W | 120-277 VAC | 950 | 574 | BK/AB Black/Aged Brass |

Example: **WS-W43015-BK/AB**

DESCRIPTION

Modern farmhouse industrial. A beckoning invitation.

FEATURES

- Driver concealed within fixture
- 5 Year warranty

SPECIFICATIONS

| | |
|----------------------|--|
| Color Temp: | 3000K |
| Input: | 120-277 VAC, 50/60Hz |
| CRI: | 90 |
| Dimming: | ELV: 100-10%, 0-10V: 100-5%, TRIAC: 100-5% |
| Rated Life: | 50000 Hours |
| Standards: | ETL, cETL, IP65 Wet Location Listed |
| Construction: | Aluminum hardware with hammered seedy glass diffuser |



FINISHES



Black/ Aged
Brass

LINE DRAWING

