

60" x 32" SOLID SURFACE SHOWER BASE

- D14-6032SMLHOL** Low Threshold
Left Side Trench Drain
- D14-6032SMRHOL** Low Threshold
Right Side Trench Drain

Product Features:

- Durable 100% solid, non-porous material
- Smooth matte surface
- Integral 3-sided 1" tiling / water retention flange for easy installation
- Low 2" threshold height
- Repairable and renewable surface
- Does not support bacteria and fungi growth
- Self-extinguishing
- UV resistant
- Resistant to stains and impact
- Easy maintenance and cleaning
- Drain not included

Nominal Dimensions:

60" x 32" x 2"
(1524 x 813 x 51mm)

Shower Base Includes:

- Removable solid surface trench drain cover

Compliance Certifications -

Meets or Exceeds the Following Specifications:

- CSA B45.5 / IAPMO Z124
- cUPC
- ASTM F462 (Pass w/COF=0.44)
- ASTM C1028
 - COF Dry = 0.66
 - COF Wet = 0.56

Flame & Smoke

- ASTM E84
 - Flame Spread Index = 0
 - Smoke Index = 20
- CAN/ULC S102.2
 - Flame Spread Rating = 0
 - Smoke Developed Classification = 15



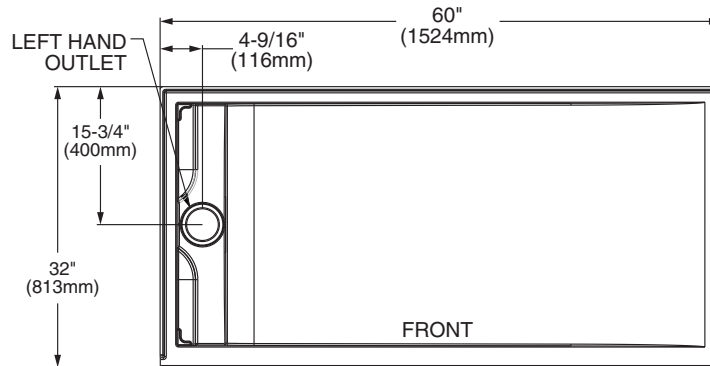
D14-6032SM-LHOL



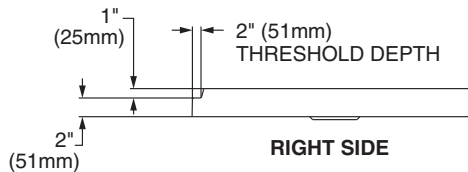
D14-6032SM-RHOL

SEE REVERSE SIDE FOR ROUGHING-IN DIMENSIONS

D14-6032SMLHOL
Low Threshold - Left Side Trench Drain

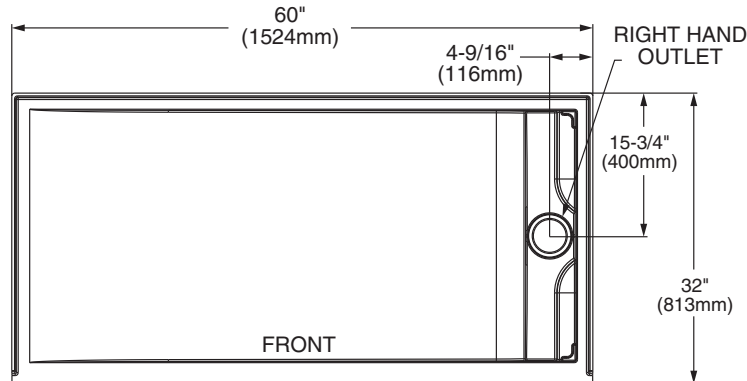


TOP VIEW

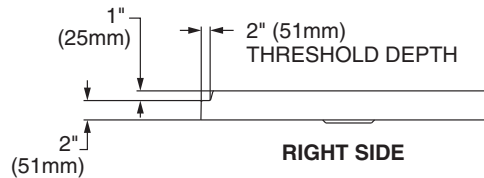


RIGHT SIDE

D14-6032SMRHOL
Low Threshold - Right Side Trench Drain



TOP VIEW



RIGHT SIDE

GENERAL SPECIFICATIONS FOR D14-6032SM SHOWER BASE

INSTALLED SIZE	1524mm x 814mm (60 x 32 In.)
WEIGHT	53.2 Kg. (117 Lbs.)
SHOWER WELL AT SUMP	1429mm x 693mm (56-3/16 x 27-5/16 In.)
SHOWER WELL AT RIM	1437mm x 716mm (56-5/8 x 28-3/16 In.)
FLOOR LOADING (PROJECTED AREA)	43 Kgs/Sq. m. (9 Lbs./Sq. Ft.)