

**60" x 36" SOLID SURFACE SHOWER BASE**

- D14-6036SMLHOL** Left Side Trench Drain
- D14-6036SMRHOL** Right Side Trench Drain

**Product Features:**

- Durable 100% solid, non-porous material
- Smooth matte surface
- Integral 3-sided 1" tiling / water retention flange for easy installation
- Low 2" threshold height
- Repairable and renewable surface
- Does not support bacteria and fungi growth
- Self-extinguishing
- UV resistant
- Resistant to stains and impact
- Easy maintenance and cleaning
- Drain not included

**Nominal Dimensions:**

60" x 36" x 2"  
(1524 x 914 x 51mm)

**Shower Base Includes:**

- Removable solid surface trench drain cover

**Compliance Certifications -**

**Meets or Exceeds the Following Specifications:**

- CSA B45.5 / IAPMO Z124
- cUPC
- ASTM F462 (Pass w/COF=0.44)
- ASTM C1028
  - COF Dry = 0.66
  - COF Wet = 0.56

Flame & Smoke

- ASTM E84
  - Flame Spread Index = 0
  - Smoke Index = 20
- CAN/ULC S102.2
  - Flame Spread Rating = 0
  - Smoke Developed Classification = 15



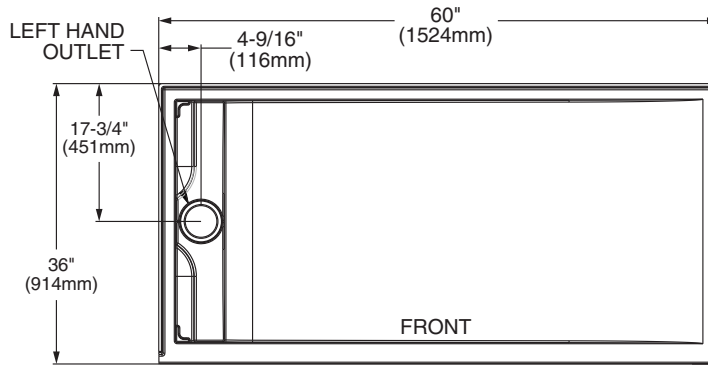
**D14-6036SMLHOL**



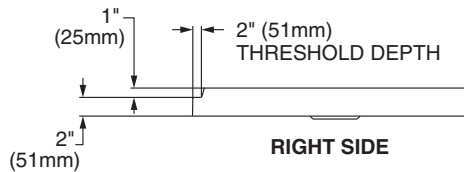
**D14-6036SMRHOL**

SEE REVERSE SIDE FOR ROUGHING-IN DIMENSIONS

**D14-6036SMLHOL  
Left Side Trench Drain**

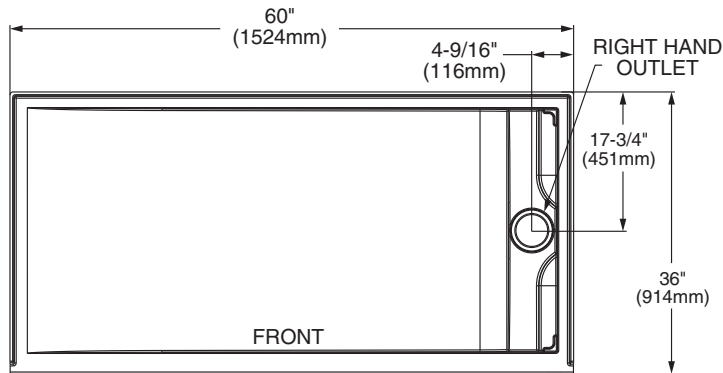


**TOP VIEW**

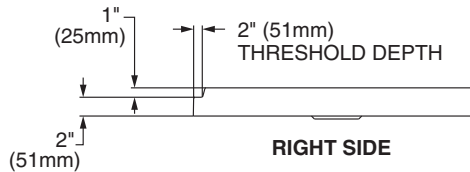


**RIGHT SIDE**

**D14-6036SMRHOL  
Right Side Trench Drain**



**TOP VIEW**



**RIGHT SIDE**

**GENERAL SPECIFICATIONS FOR D14-6036SM SHOWER BASE**

|                                   |  |
|-----------------------------------|--|
| INSTALLED SIZE                    | 1524mm x 914mm<br>(60 x 36 In.)        |
| WEIGHT                            | 58.6 Kg. (129 Lbs.)                    |
| SHOWER WELL AT SUMP               | 1429mm x 795mm (56-3/16 x 31-5/16 In.) |
| SHOWER WELL AT RIM                | 1437mm x 817mm (56-5/8 x 32-3/16 In.)  |
| FLOOR LOADING<br>(PROJECTED AREA) | 42 Kgs/Sq. m. (9 Lbs./Sq. Ft.)         |