

**PRODUCT SPECIFICATIONS**

Elkay Lustertone™ Classic Stainless Steel 15" x 17-1/2" x 10", Single Bowl Drop-in Sink. Sink is manufactured from 18 gauge 304 Stainless Steel with a Lustrous Satin finish, Center drain placement, and Sides and Bottom pads.

|                              |  |
|------------------------------|--|
| <b>Installation Type:</b>    | Drop-in  |
| <b>Material:</b>             | 304 Stainless Steel  |
| <b>Finish:</b>               | Lustrous Satin   |
| <b>Gauge:</b>                | 18   |
| <b>Sound Deadening:</b>      | Sides and Bottom pads  |
| <b>Number of Bowls:</b>      | 1  |
| <b>Sink Dimensions:</b>      | 15" x 17-1/2" x 10"  |
| <b>Bowl 1 Dimensions:</b>    | 12" x 12" x 9-7/8"   |
| <b>Drain Size:</b>           | 3-1/2" (89mm)  |
| <b>Drain Location:</b>       | Center   |
| <b>Minimum Cabinet Size:</b> | 18"  |
| <b>Mounting Hardware:</b>    | Part # 64090010 included for countertops up to 3/4" (19mm) thick |
| <b>Cutout Template #:</b>    | <a href="#">1000001273</a>                                       |

Template is available for download at [elkay.com](http://elkay.com). CAD software will be required to open the template.

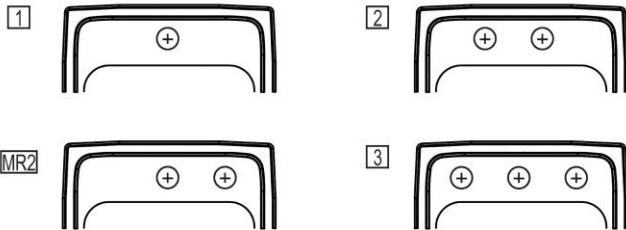
**Cutout Dimensions for Drop-in Installation:**

14-3/8" x 16-7/8" (365mm x 429mm) with 1-1/2" (38mm) corner radius

|   |  |
|---|--|
| <b>Custom Options</b>                             |  |
| <input type="checkbox"/> Type 316 Stainless Steel |  |
| <b>Drain Location</b>                             |  |
| <input type="checkbox"/> Right Rear               | <input type="checkbox"/> Left Rear         |
| <input type="checkbox"/> Center                   | <input type="checkbox"/> Center Rear       |
| <b>Overflow Location</b>                          |  |
| <input type="checkbox"/> Front                    | <input type="checkbox"/> Rear              |
| <b>Alternate Punching</b>                         |  |
| <input type="checkbox"/> Faucet Model:            | <input type="checkbox"/> Punch Required:   |
| <b>Sink Size</b>                                  |  |
| <input type="checkbox"/> Bowl Depth:              | <input type="checkbox"/> Drainboard Width: |

**Hole Drilling Configurations:**

1-1/2" (38mm) Diameter Faucet Holes on 4" (102mm) Centers



PART: \_\_\_\_\_ QTY: \_\_\_\_\_

PROJECT: \_\_\_\_\_

CONTACT: \_\_\_\_\_

DATE: \_\_\_\_\_

NOTES: \_\_\_\_\_

APPROVAL: \_\_\_\_\_



**AMERICAN PRIDE. A LIFETIME TRADITION.**  
Like your family, the Elkay family has values and traditions that endure. For almost a century, Elkay has been a family-owned and operated company, providing thousands of jobs that support our families and communities.



**Product Compliance:** ASME A112.19.3/CSA B45.4  
BUY AMERICAN ACT

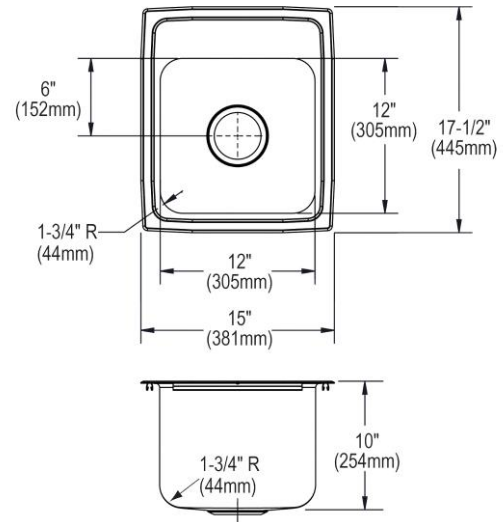


Sinks are listed by IAPMO® as meeting the applicable requirements of the Uniform Plumbing Code®, International Plumbing Code®, and National Plumbing Code of Canada.

[Clean and Care Manual \(PDF\)](#)

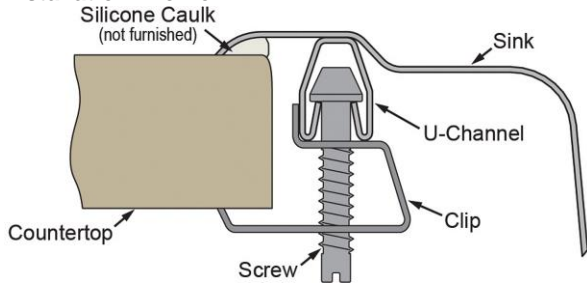
[Installation Instructions \(PDF\)](#)

[Warranty \(PDF\)](#)



In keeping with our policy of continuing product improvement, Elkay reserves the right to change product specifications without notice. Please visit [elkay.com](http://elkay.com) for the most current version of Elkay product specification sheets. This specification describes an Elkay product with design, quality, and functional benefits to the user. When making a comparison of other producers' offerings, be certain these features are not overlooked.

**Installation Profile:**



**OPTIONAL ACCESSORIES**

|                        |                                       |
|------------------------|---------------------------------------|
| <b>Cutting Board:</b>  | CB912                                 |
| <b>Drain:</b>          | LK99                                  |
| <b>Faucet:</b>         | LKGT1042CR, LKGT1042NK,<br>LKGT1042RB |
| <b>Hardware:</b>       | LK364, LK463                          |
| <b>Rinsing Basket:</b> | LKWRB1209SS                           |
| <b>Soap Dispenser:</b> | LKGT1054                              |

*In keeping with our policy of continuing product improvement, Elkay reserves the right to change product specifications without notice. Please visit [elkay.com](http://elkay.com) for the most current version of Elkay product specification sheets. This specification describes an Elkay product with design, quality, and functional benefits to the user. When making a comparison of other producers' offerings, be certain these features are not overlooked.*