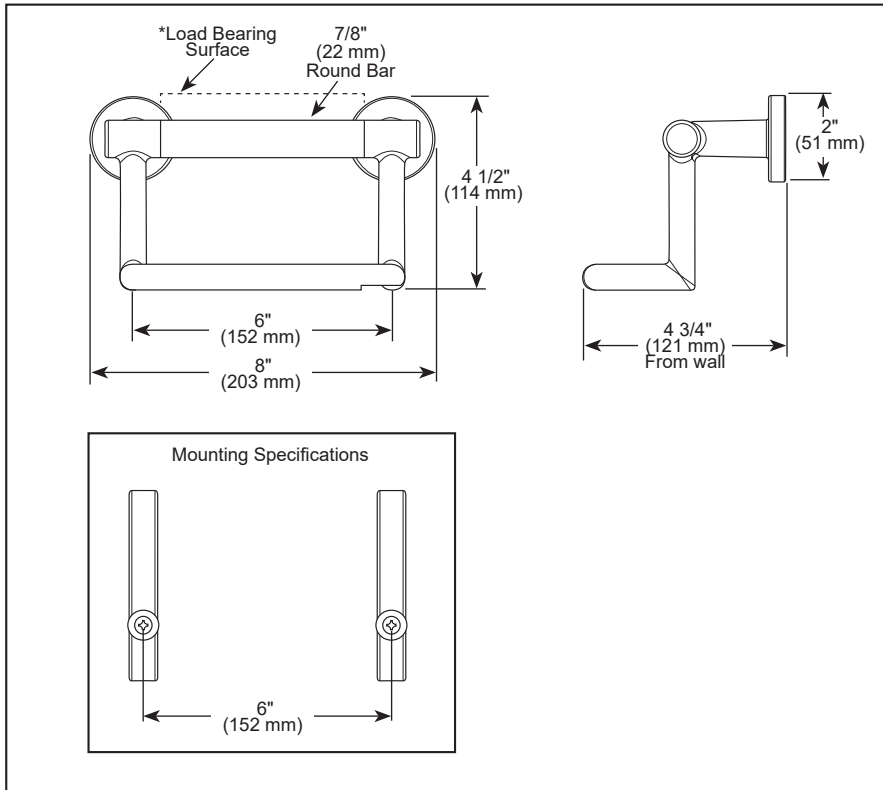
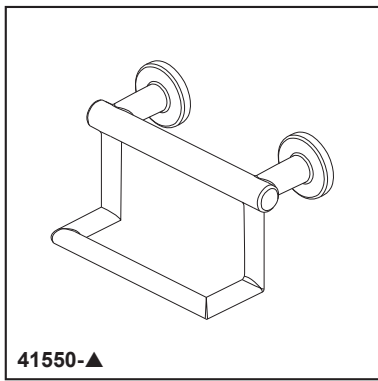




see what Delta can do™

ACCESSORIES

- Décor Assist™
- Contemporary Toilet Paper Holder with Assist Bar



▲ Designate Proper Finish Suffix

STANDARD SPECIFICATIONS:

- Wood blocking is preferable behind all wall surfaces. If wood blocking is not available, the supplied fasteners are recommended.
- Mounting hardware and mounting template included with product
- 7/8" (22 mm) diameter assist bar
- Maximum 300 lbs. as an assist bar on indicated surface when properly installed.
- Pivoting tissue holder for easy loading

WARRANTY

- Parts and Finish – Lifetime limited warranty; or for commercial purchasers, 10 years for multi-family residential (apartments and condominiums) and 5 years for all other commercial uses, in each case from the date the product is received by the original purchaser or their authorized representative (installation contractor, etc.).
- Please go to www.deltafaucet.com for the complete details of our limited warranty.