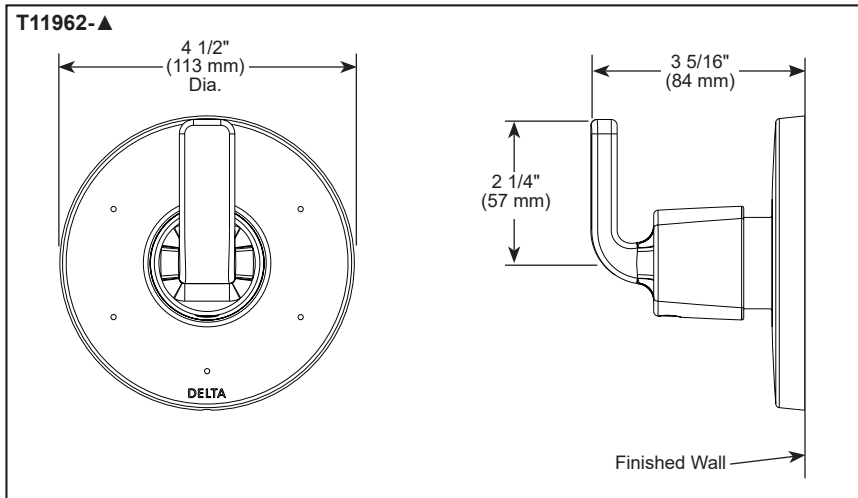
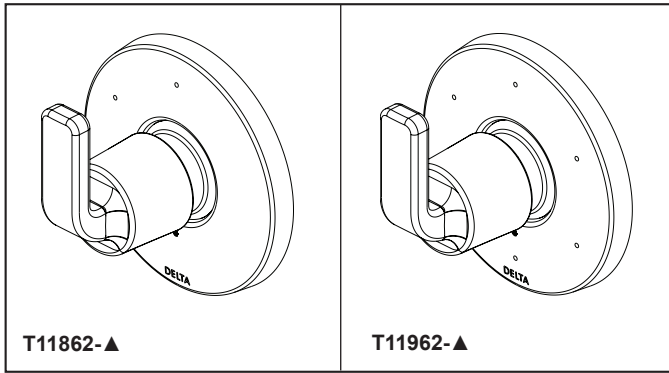




see what Delta can do™

CUSTOM SHOWER DIVERTER

- Lineax™ Bath Collection
- Three Function Diverter Trim (T11862)
- Six Function Diverter Trim (T11962)

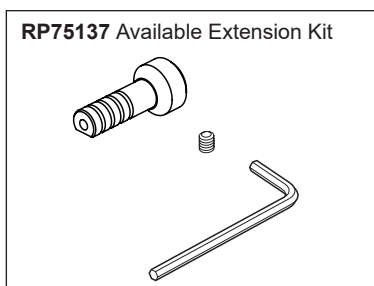
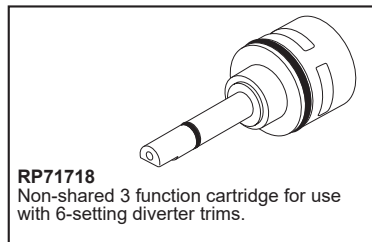
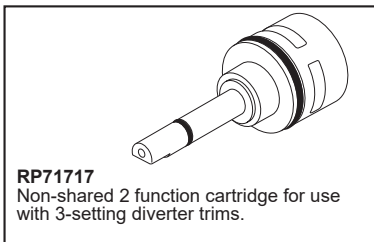


STANDARD SPECIFICATIONS

- Three function diverter. 2 individual positions, 1 shared position
- Six function diverter. 3 individual positions, 3 shared positions
- Must also order R1 1000 rough-in
- Two individual positions, no shared positions, order cartridge RP71717
- Three individual positions, no shared positions, order cartridge RP71718
- Installation extension kit order RP75137, adds 1" to maximum installation thickness

WARRANTY

- Parts and Finish - Lifetime limited warranty; or for commercial purchasers, 10 years for multi-family residential (apartments and condominiums) and 5 years for all other commercial uses, in each case from the date the product is received by the original purchaser or their authorized representative (installation contractor, etc.).
- Please go to www.deltafaucet.com for the complete details of our limited warranty.



▲ Designate proper finish suffix

COMPLIES WITH:

- ASME A112.18.1 / CSA B125.1
- ICC/ANSI A117.1