

see what Delta can do™

## PUSH BUTTON SHOWER TRIM

### FEATURES:

- Thermostatic mixing valve trim
- Push button selection control for 2 outlets

### STANDARD SPECIFICATIONS:

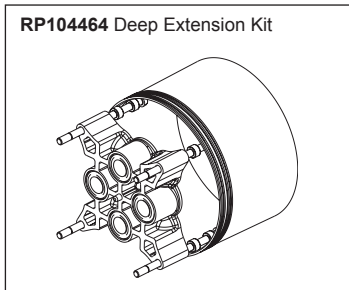
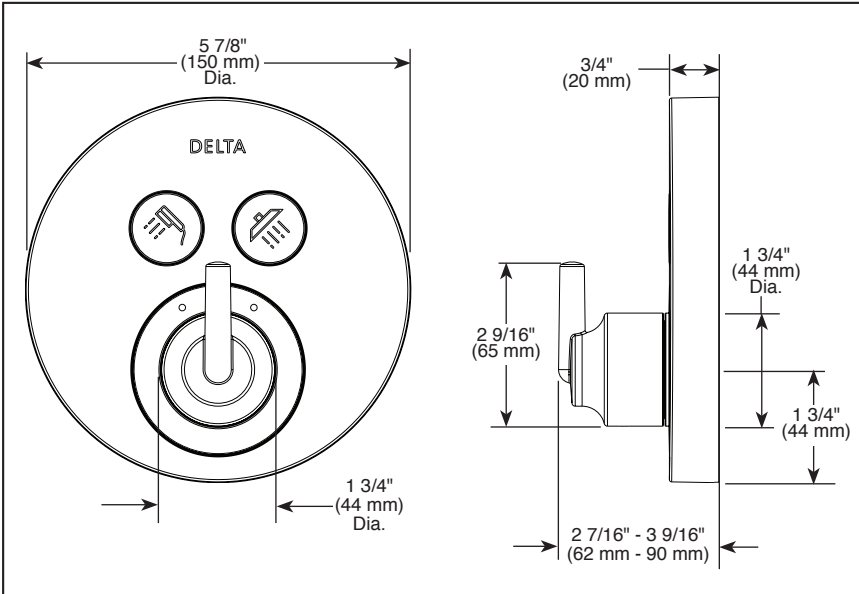
- Maintains a balanced flow of hot and cold water even when a valve is turned on or off elsewhere in the system
- Use with SelectChoice™ (R23000 Series)
- Push button controls on/off for 2 outlets which can be run individually or simultaneously
- Handle controls temperature
- Field adjustable to limit handle rotation into hot water zone
- Red/Blue indicator markings
- Two function diverter
- Cartridges included
- Standard installation allows up to 1 3/4" finished wall thickness
- Thick wall installation kit (RP104464) can be ordered to allow for up to 2 13/4" finished wall thickness
- Max system flow rate 10 gpm @ 60 psi with R23000-WS
- Includes one hand shower, raincan and shower head button. Additional buttons can be ordered (RP104460▲)

### WARRANTY

- Parts and Finish - Lifetime limited warranty; or for commercial purchasers, 10 years for multi-family residential (apartments and condominiums) and 5 years for all other commercial uses, in each case from the date the product is received by the original purchaser or their authorized representative (installation contractor, etc.).
- Please go to [www.deltafaucet.com](http://www.deltafaucet.com) for the complete details of our limited warranty.

### COMPLIES WITH:

- ASME A112.18.1 / CSA B125.1
- ASSE 1016 / ASME A112.1016 / CSA B125.16
- ICC/ANSI A117.1



▲ Designate Proper Finish Suffix

