

see what Delta can do™

## KITCHEN FAUCETS

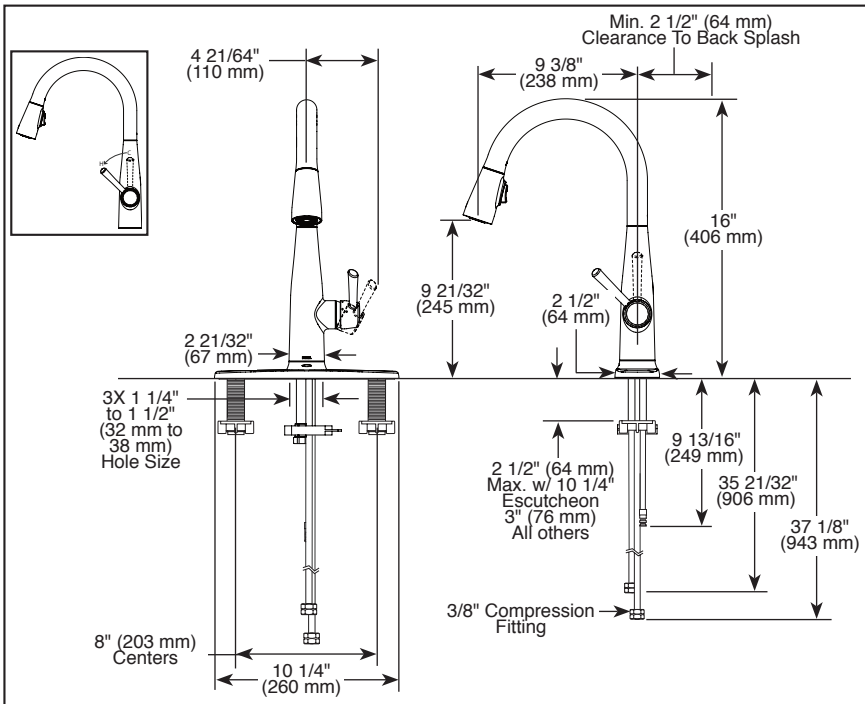
- Essa® Collection
- Single Handle Pull-Down

### FEATURES:

- Touch<sub>2</sub>O® with Touchless Technology
- DIAMOND Seal® Technology
- MagnaTite® Magnetic Docking
- Touch-Clean® Spray Holes
- VoicelQ® Technology

### STANDARD SPECIFICATIONS:

- Max flow rate 1.8 gpm @ 60 psi, 6.8 L/min @ 414 kPa
- One or three hole mount (escutcheon included)
- Diamond coated ceramic cartridge
- 3/8" O.D. straight, staggered PEX supply lines
- Spout rotates 360°
- Red/Blue indicator markings
- Two-function wand; Aerated stream or spray
- Dual integral check valves in sprayer
- LED indicator light signals on-off, water temperature and low batteries
- Uses 6 AA (included) or 6 C (not included) batteries
- EP102157 110-120V AC adapter included (3 prong grounded outlet required)
- Toggles between Touchless and Touch<sub>2</sub>O® Technology
- VoicelQ® Technology for voice controlled dispensing



▲ Designate proper finish suffix

### WARRANTY

- Parts and Finish - Lifetime limited warranty; or for commercial purchasers, 10 years for multi-family residential (apartments and condominiums) and 5 years for all other commercial uses, in each case from the date the product is received by the original purchaser or their authorized representative (installation contractor, etc.).
- Electronic Parts and Batteries (if applicable) - 5 years from the date the product is received by the original purchaser or their authorized representative (installation contractor, etc.); or for commercial purchasers, 1 year from the date the product is received by the original purchaser or their authorized representative (installation contractor, etc.). No warranty is provided on batteries.
- Please go to [www.deltafaucet.com](http://www.deltafaucet.com) for the complete details of our limited warranty.

### COMPLIES WITH:

- ASME A112.18.1 / CSA B125.1
- ICC/ANSI A117.1 - Valve control only

Delta Faucet Company reserves the right (1) to make changes in specifications and materials, and (2) to change or discontinue models, both without notice or obligation. Dimensions are for reference only. See current full-line price book or [www.deltafaucet.com](http://www.deltafaucet.com) for finish options and product availability.

DSP-K-9113TLV-DST Rev. B

**Delta Faucet Company**  
 55 E. 111th Street, Carmel, IN 46280  
 350 South Edgeware Road, St. Thomas, ON N5P 4L1  
 © 2025 Delta Faucet Company