

see what Delta can doSM

KITCHEN FAUCETS

- Cordova™ Collection
- Single Handle Deck Mount
- 3-Function Pull-Down Sprayer

FEATURES:

- MagnaTite® Magnetic System
- DIAMOND Seal® Technology
- Touch-Clean® Spray Holes

STANDARD SPECIFICATIONS:

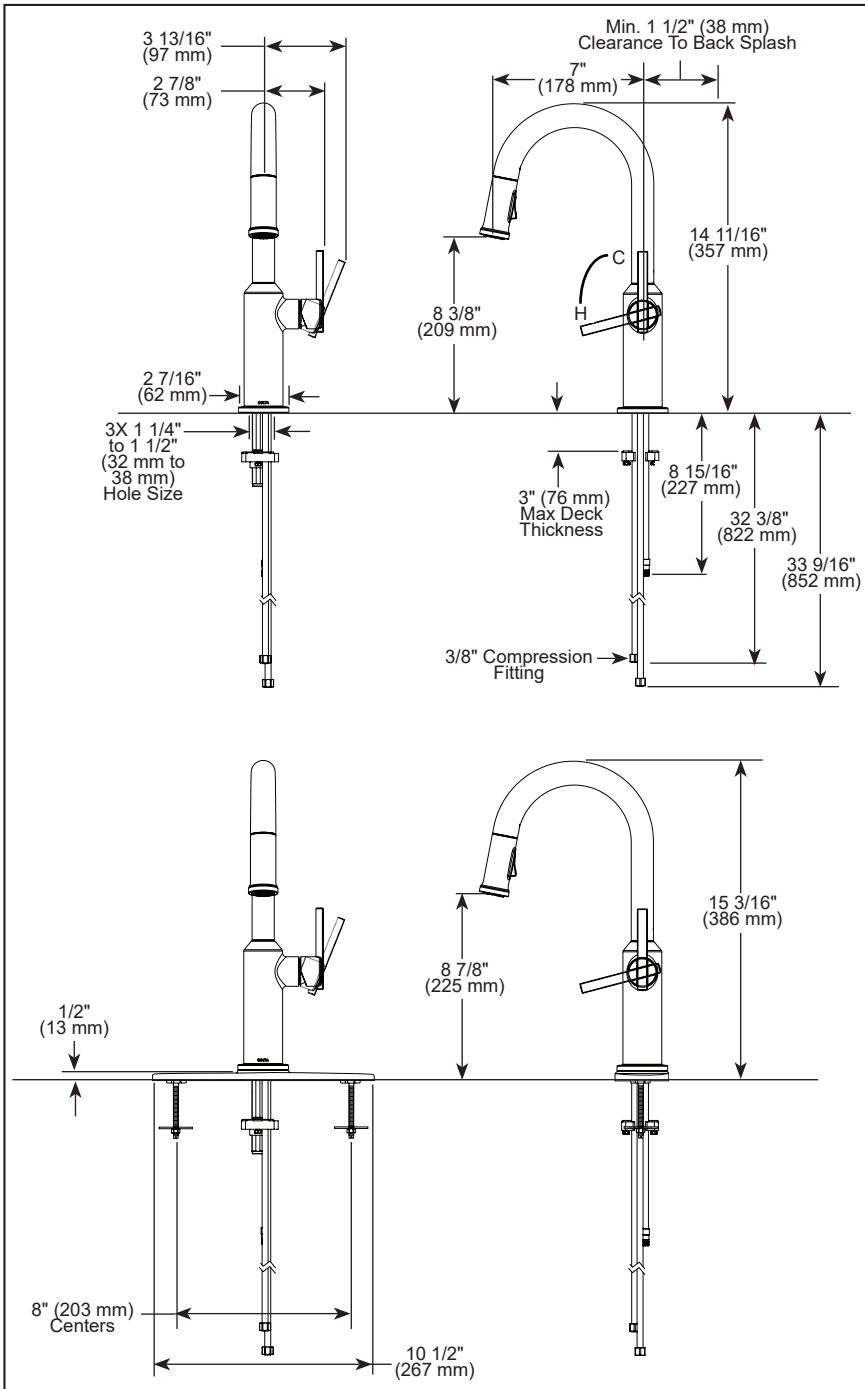
- Maximum 1.8 gpm @ 60 psi, 6.8 L/min @ 414 kPa
- One or three hole mount (escutcheon not included, order separately)
- Spout rotates 360°
- Diamond coated ceramic cartridge
- Two-function wand; Aerated stream or spray
- Red/blue indicator RP104130 (not included)
- Dual check valve in sprayer

WARRANTY

- Parts and Finish - Lifetime limited warranty; or for commercial purchasers, 10 years for multi-family residential (apartments and condominiums) and 5 years for all other commercial uses, in each case from the date the product is received by the original purchaser or their authorized representative (installation contractor, etc.).
- Please go to www.deltafaucet.com for the complete details of our limited warranty.

COMPLIES WITH:

- ASME A112.18.1 / CSA B125.1
- NSF/ANSI/CAN 61 & 372
- ♿ ICC/ANSI A117.1 - Valve control only



▲ Designate proper finish suffix

Delta Faucet Company reserves the right (1) to make changes in specifications and materials, and (2) to change or discontinue models, both without notice or obligation. Dimensions are for reference only. See current full-line price book or www.deltafaucet.com for finish options and product availability.

DSP-K-9985-DST Rev. C

Delta Faucet Company

55 E. 111th Street, Carmel, IN 46280
 350 South Edgeware Road, St. Thomas, ON N5P 4L1
 © 2026 Delta Faucet Company