

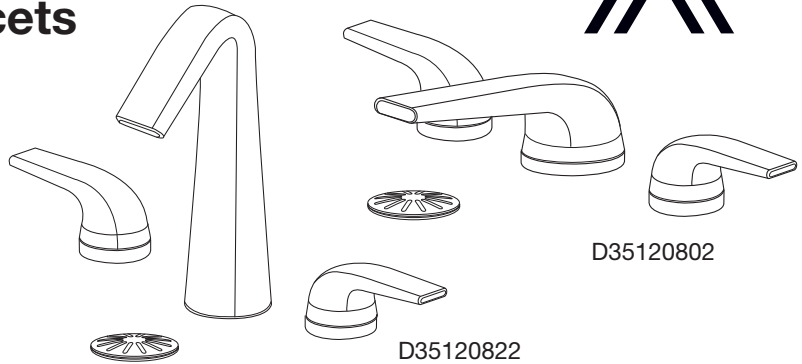
# INSTALLATION INSTRUCTIONS



## DXV Modulus™ Widespread Lavatory Faucets

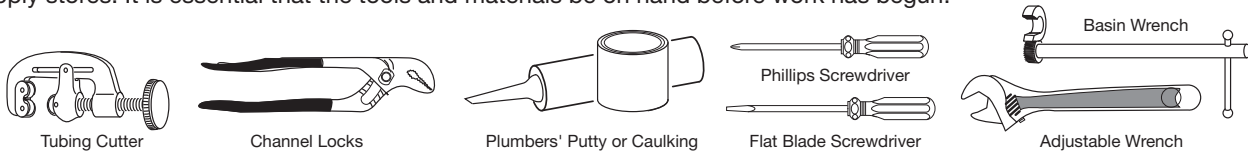
Model D35120802  
Model D35120822

Thank you for selecting DXV. To ensure that your installation proceeds smoothly, please read these instructions carefully before you begin.



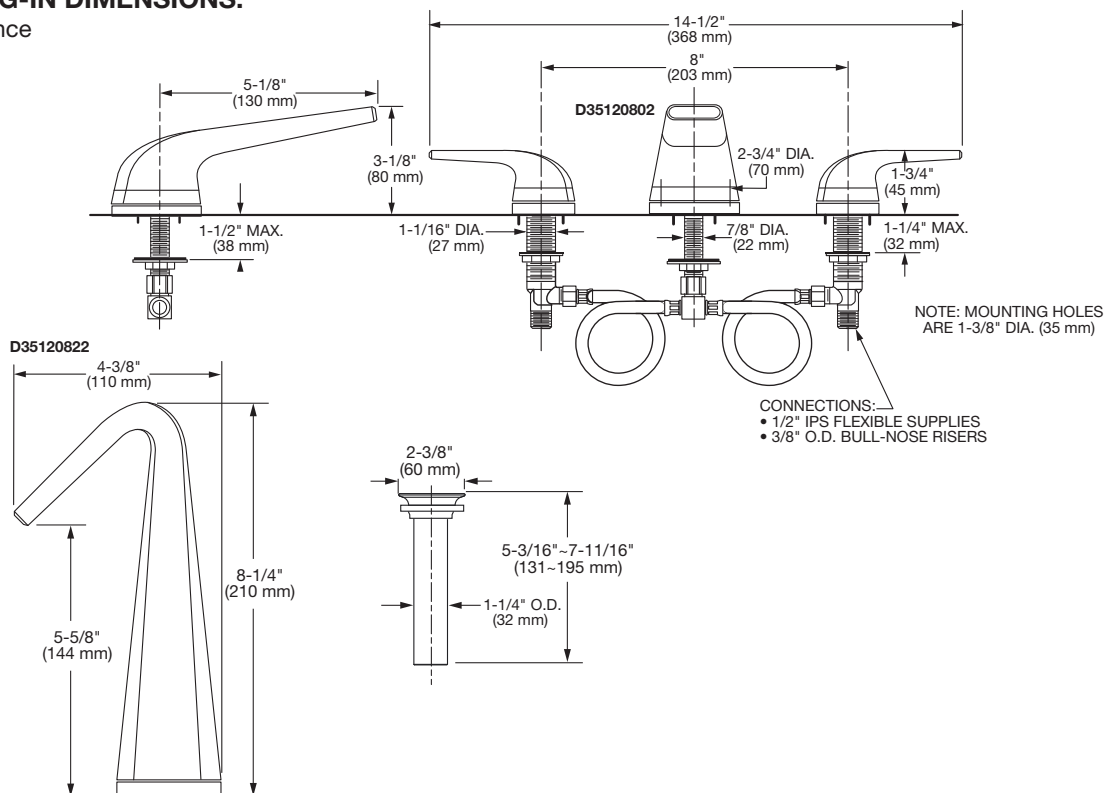
### RECOMMENDED TOOLS AND MATERIALS

Most of the procedures require the use of common tools and materials, which are available from hardware and plumbing supply stores. It is essential that the tools and materials be on hand before work has begun.



### ROUGHING-IN DIMENSIONS:

• For reference



#### In the United States:

DXV  
One Centennial Avenue  
Piscataway, New Jersey 08855  
Attention: Director of Customer Care

For residents of the United States, warranty information may also be obtained by calling the following toll free number: (800) 227-2734  
www.DXV.com

#### In Canada:

DXV  
5900 Avebury Road  
Mississauga, Ontario  
L5R 3M3  
Canada

Toll Free: 1-800-387-0369  
Local: 905-306-1093  
Fax: 1-800-395-1498  
www.DXV.ca

#### In Mexico:

DXV  
Via Morelos 330  
Col. Santa Clara Coatlilla  
Ecatepec, Estado de México 55540

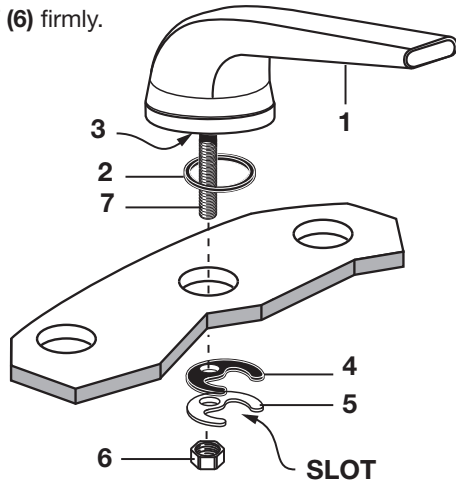
Toll Free: 01-800-8391200  
www.DXV.mx

SAVE FOR FUTURE USE

## 1 SPOUT ASSEMBLY

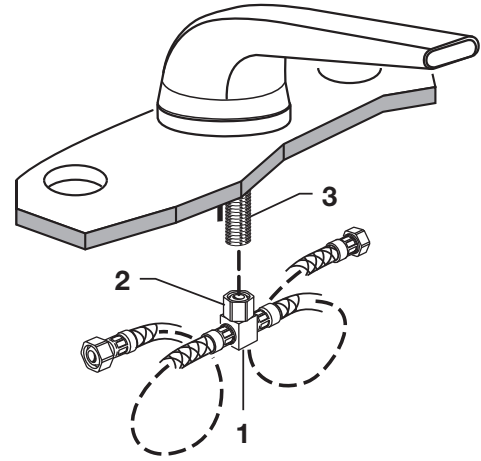
**CAUTION** Turn off hot and cold water supplies before beginning.

- Insert SPOUT (1) through center hole, making sure SEAL WASHER (2) is properly seated in SPOUT BASE (3) groove.
- Assemble RUBBER WASHER (4), BRASS WASHER (5) and LOCKNUT (6) onto SPOUT SHANK (7) from under side of sink. Make sure SPOUT (1) is centered in the mounting hole and the slot in the BRASS WASHER (5) faces toward the front of the sink.
- Tighten LOCKNUT (6) firmly.



## 2 TEE ASSEMBLY

- Thread TEE BODY (1) COUPLING NUT (2) to SPOUT SHANK (3). Tighten with wrenches.



## 3 INSTALL VALVE BODIES

- Unpack valve assembly and Modulsove HANDLE (9). Unthread FLANGE (8) removing from VALVE BODY (2).
- Thread LOCKNUT (1) to bottom of VALVE BODY (2). Make sure SPACER (3), BRASS WASHER (4) and RUBBER WASHER (5) are installed.
- Insert VALVE BODY (2) through mounting hole from underside of lavatory or mounting surface.

**Note:** VALVE BODY marked *Hot* is installed in the left Mtg. hole, VALVE BODY marked *Cold* in the right when facing front of fitting. Maximum mounting surface thickness is 1-3/4".

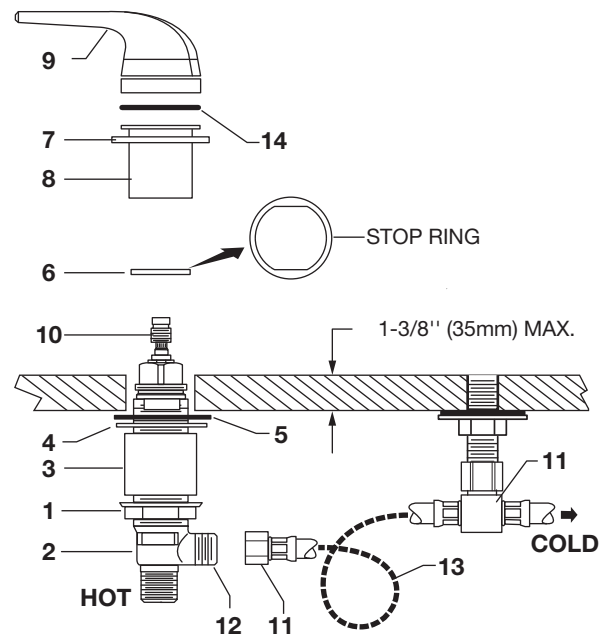
- Install STOP RING (6) onto VALVE BODY (2) if not in place. Install WASHER (7) beneath FLANGE (8).
- Thread FLANGE (8) flush against STOP RING (6).
- Align VALVE BODY (2) and from below tighten LOCKNUT (1) to secure VALVE BODY (2).

### INSTALL HANDELS

- Turn VALVES to off position. Align HANDLES (9) as shown or as desired and install onto CARTRIDGE STEM (10). Make sure the O-ring (14) is properly seated in the handle base groove.

### HOSE CONNECTIONS

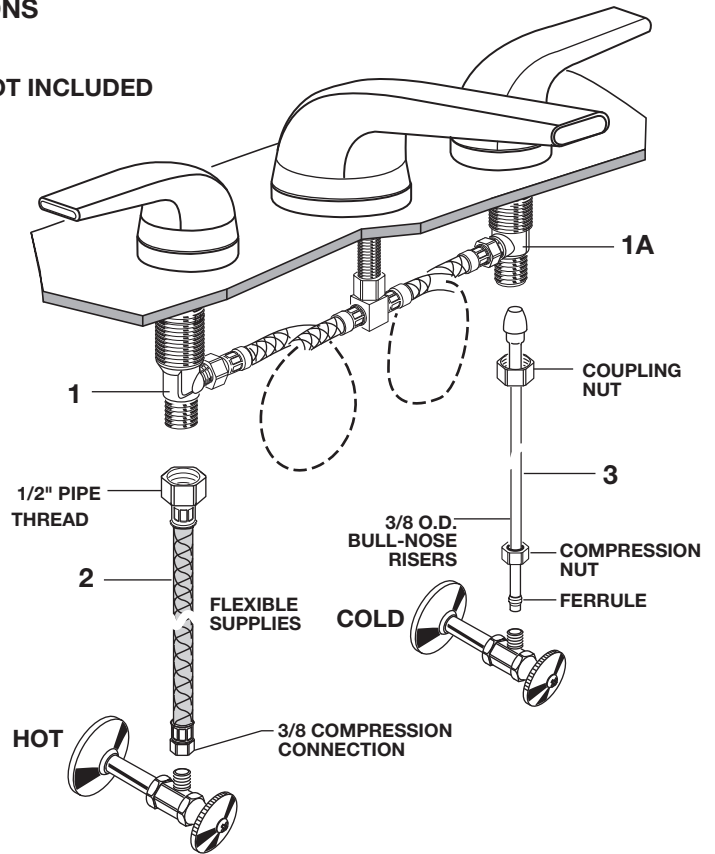
- Tighten COUPLING NUT (11) on SUPPLY HOSE (13) to OUTLET (12) making water tight connection.
- Important:** Loop SUPPLY HOSES (13) as shown so they do not kink.



## 4 MAKE WATER SUPPLY AND WASTE CONNECTIONS

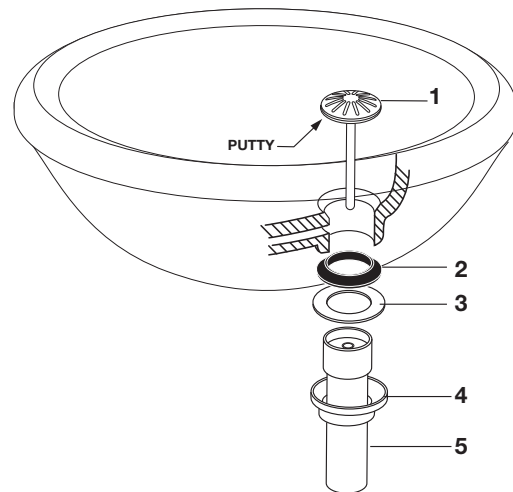
**NOTE: FLEXIBLE SUPPLIES OR BULL-NOSE RISERS NOT INCLUDED AND MUST BE PURCHASED SEPARATELY.**

- Connect water supply to VALVE BODIES (1, 1A) with 1/2" IPS FLEXIBLE SUPPLIES (2) or 3/8" O.D. BULL-NOSE RISERS (3). Use adjustable wrench to tighten connections. Do not over tighten. Be careful not to kink copper supply when bending. Use tubing cutter to cut to proper length.
- Connect HOT water supply to inlet of left SHANK and COLD water supply to right SHANK using sealant, appropriate connectors, and COUPLING NUTS.



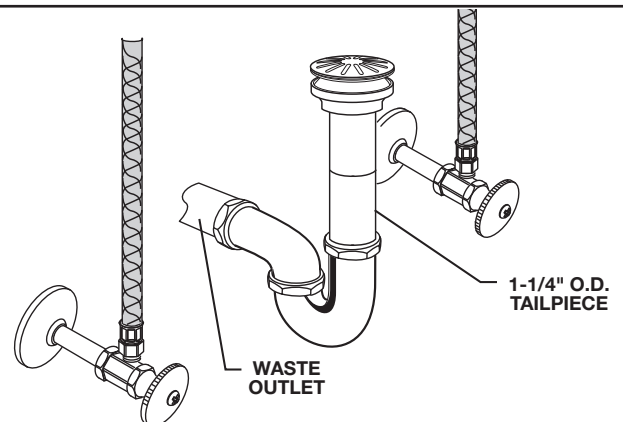
## 5 DRAIN INSTALLATION

- Apply a bead of PUTTY to underside of DRAIN BODY FLANGE (1).
- Feed DRAIN BODY (1) down through lavatory.
- Assemble GASKET (2) WASHER (3) and LOCKNUT (4) onto DRAIN BODY (1). Tighten LOCKNUT (4) firmly.
- Assemble TAILPIECE (5) to DRAIN BODY (1).



## 6 CONNECT DRAIN

- Connect 1-1/4" O.D. tailpiece on POP-UP DRAIN to waste outlet.

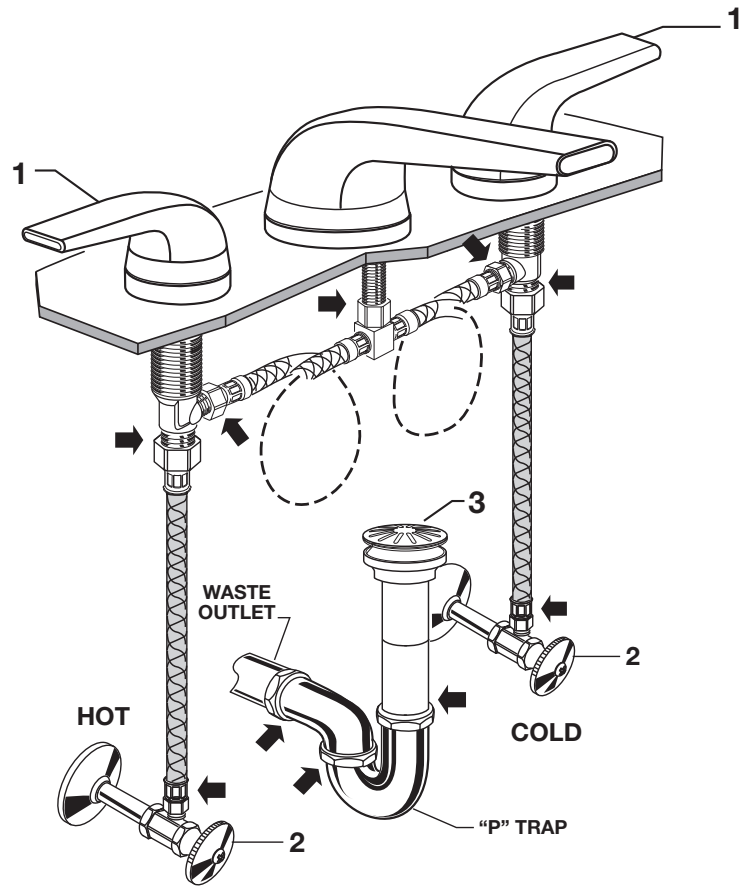


## 7 TEST INSTALLED FITTING

- With HANDLE (1) in OFF position, turn on WATER SUPPLIES (2) and check all connections for leaks. ➡
- Operate HANDLE (1) to flush water lines thoroughly.
- Clean the Nozzles on the Aerator by massaging each nozzle using your finger.
- Clean filter screen at inlet hoses.

## 8 CHECK DRAIN CONNECTIONS

- Fill lavatory with water. Check that DRAIN STOPPER (3) makes a good seal and retains water in Sink.
- Check all drain connections and "P" trap for leaks. ➡ Tighten if necessary.





# DXV Modulus™ Widespread Lavatory Faucets

MODEL NUMBERS

**D35120802**  
**D35120822**

Replace the "YYY" with appropriate finish code

POLISHED CHROME	100
BRUSHED NICKEL	144
PLATINUM NICKEL	150

