

This file has been cleaned of potential threats.

If you confirm that the file is coming from a trusted source, you can send the following SHA-256 hash value to your admin for the original file.

e5b95bd3eb663cefd58433ccc8719f5fca07ae3f30d63c82a56f3dc645f0bd42

To view the reconstructed contents, please SCROLL DOWN to next page.

### PRODUCT SPECIFICATIONS

Elkay Lustertone™ Classic Stainless Steel, 23-5/8" x 21-1/4" x 7-1/2", Single Bowl Undermount Sink. Sink is manufactured from 18 gauge 304 Stainless Steel with a Lustrous Satin finish, Rear Center drain placement, and Sides and Bottom pads.

|                              |                                     |
|------------------------------|-------------------------------------|
| <b>Installation Type:</b>    | Undermount                          |
| <b>Material:</b>             | 304 Stainless Steel                 |
| <b>Finish:</b>               | Lustrous Satin                      |
| <b>Gauge:</b>                | 18                                  |
| <b>Sound Deadening:</b>      | Sides and Bottom pads               |
| <b>Number of Bowls:</b>      | 1                                   |
| <b>Sink Dimensions:</b>      | 23-5/8" x 21-1/4" x 7-1/2"          |
| <b>Bowl 1 Dimensions:</b>    | 21" x 18-5/8" x 7-1/2"              |
| <b>Drain Size:</b>           | 3-1/2" (89mm)                       |
| <b>Drain Location:</b>       | Rear Center                         |
| <b>Minimum Cabinet Size:</b> | 27"                                 |
| <b>Mounting Hardware:</b>    | Undermount brackets sold separately |
| <b>Template Included:</b>    | Yes                                 |
| <b>Cutout Template #:</b>    | <a href="#">1000000588</a>          |

Template is available for download at [elkay.com](#). CAD software will be required to open the template.

|   |  |
|---|--|
| <b>Custom Options</b>                             |  |
| <input type="checkbox"/> Type 316 Stainless Steel |  |
| <b>Drain Location</b>                             |  |
| <input type="checkbox"/> Right Rear               | <input type="checkbox"/> Left Rear         |
| <input type="checkbox"/> Center                   | <input type="checkbox"/> Center Rear       |
| <b>Overflow Location</b>                          |  |
| <input type="checkbox"/> Front                    | <input type="checkbox"/> Rear              |
| <b>Alternate Punching</b>                         |  |
| <input type="checkbox"/> Faucet Model:            | <input type="checkbox"/> Punch Required:   |
| <b>Sink Size</b>                                  |  |
| <input type="checkbox"/> Bowl Depth:              | <input type="checkbox"/> Drainboard Width: |

\*Options available if applicable



**Included with Product:** ELUH2118 sink, LKWOBG2118SS bottom grid, LK99 drain

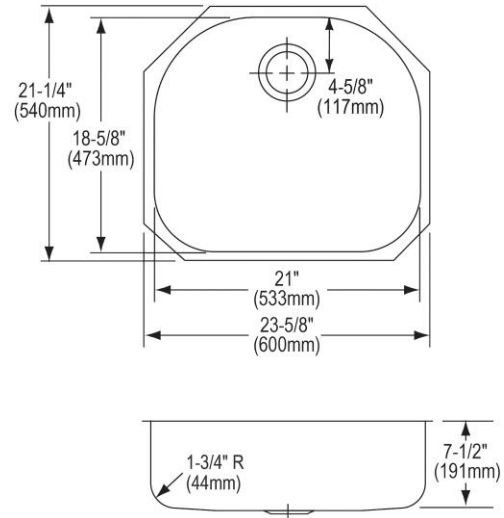
AMERICAN PRIDE. A LIFETIME TRADITION. Like your family, the Elkay family has values and traditions that endure. For almost a century, Elkay has been a family-owned and operated company, providing thousands of jobs that support our families and communities.



**Product Compliance:** ASME A112.19.3/CSA B45.4  
BUY AMERICAN ACT  
**Accessory:** ASME A112.18.2/CSA B125.2

[Clean and Care Manual \(PDF\)](#)  
[Installation Instructions \(PDF\) - 1000005239](#)  
[Installation Instructions \(PDF\) - 1000005235\\_drain](#)  
[Warranty \(PDF\)](#)

**Similar models are available with:** extra deep bowls



PART: \_\_\_\_\_ QTY: \_\_\_\_\_

PROJECT: \_\_\_\_\_

CONTACT: \_\_\_\_\_

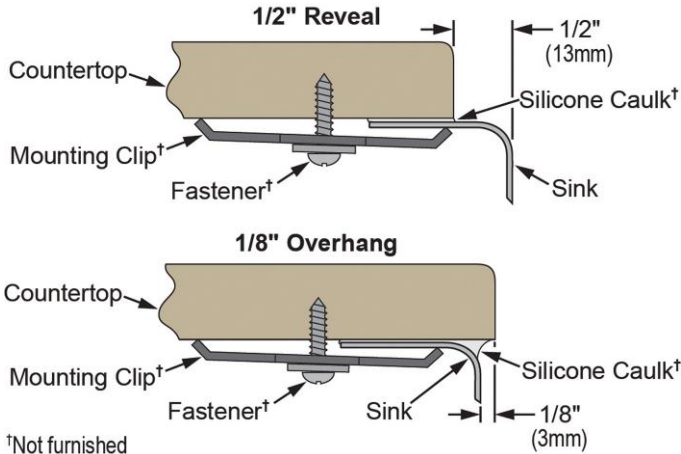
DATE: \_\_\_\_\_

NOTES: \_\_\_\_\_

APPROVAL: \_\_\_\_\_

In keeping with our policy of continuing product improvement, Elkay reserves the right to change product specifications without notice. Please visit [elkay.com](#) for the most current version of Elkay product specification sheets. This specification describes an Elkay product with design, quality, and functional benefits to the user. When making a comparison of other producers' offerings, be certain these features are not overlooked.

**Installation Profile:**



†Not furnished

*Designed to affix to the underside of any solid surface countertop.*

**OPTIONAL ACCESSORIES**

|                        |          |
|------------------------|----------|
| <b>Cutting Board:</b>  | CB2213*  |
| <b>Hardware:</b>       | LKUCLIP8 |
| <b>Rinsing Basket:</b> | LKWERBSS |
| <b>Soap Dispenser:</b> | LKHA1054 |

\* 1/2" sink reveal required for proper fit.

*In keeping with our policy of continuing product improvement, Elkay reserves the right to change product specifications without notice. Please visit [elkay.com](http://elkay.com) for the most current version of Elkay product specification sheets. This specification describes an Elkay product with design, quality, and functional benefits to the user. When making a comparison of other producers' offerings, be certain these features are not overlooked.*